

## Automatic start and stop device

### Applications

Assembled on a pump, automatic start and stop based on water demand.  
Adjustable starting pressure range from 1,5 to 2,5 bar.

### Materials

Plastic components in technopolymer.  
Internal membrane in EPDM.

### Equipment

Built-in check valve.  
Unions included.  
Cables without plug.  
Dry-protection function.  
Automatic reset function.

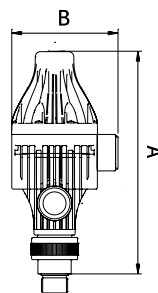


### Feature table

Model	I [A] max.	Hz	Protection	Maximum pressure	Starting pressure	Diferencial pressure	Stopping pressure	Max. temp. [°C]	Ø Connection	Code
										1~220V
Pressdrive	12	50/60	IPX5	10 bar	1,5 - 2,5 bar	≥ 0,7 bar	Max. given by the pump	40	1"	205333

### Dimension and weight

Model	A	B	Kg
Pressdrive	281	134	1,5



# Pressdrive 05 **Booster**



## Automatic start and stop device

### Applications

Assembled on a pump, automatic start and stop based on water demand.  
Adjustable starting pressure range from 1,5 to 2,5 bar.

### Materials

Plastic components in technopolymer.  
Internal membrane in EPDM.

### Equipment

Built-in check valve.  
Unions included.  
Cables without plug.  
Dry-protection function.  
Automatic reset function.

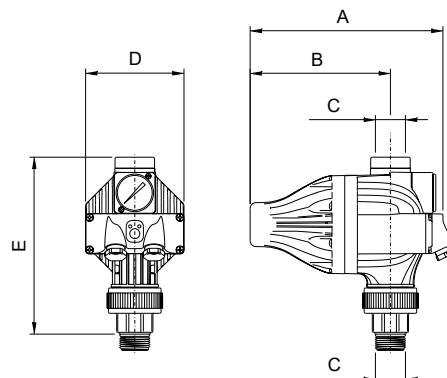


## Feature table

Model	I [A] max.	Hz	Protection	Maximum pressure	Starting pressure	Diferencial pressure	Stopping pressure	Max. temp. [°C]	Ø Connection	Code	
										1~115V	1~220V
Pressdrive 05	12	50/60	IPX5	10 bar	1,5 - 2,5 bar	≥ 1 bar	Max. given by the pump	40	1"	205804	205331

## Dimension and weight

Model	A	B	C	D	E	Kg
Pressdrive 05	213	155	1"	108	195	1,5



## Automatic set for water supply

### Applications

Automatic pumping of clean water for domestic, industrial, agricultural and gardening purposes.  
Silent.  
Self-priming up to 2m.  
Adjustable starting pressure range from 1,5 to 2,5 bar.

### Materials

#### Prisma:

Pump body and impellers in AISI 304.  
Pump shaft in AISI 431.  
Diffusers in technopolymer.  
Suction and discharge in cast iron with cathaphoresis coating.  
Mechanical seal in aluminium-graphite.  
Motor casing in aluminium.  
O-rings in NBR/EPDM.

#### Pressdrive 05:

Plastic components in technopolymer.  
Internal membrane in EPDM.

### Motor

Asynchronous 2 poles.  
IPX5 protection.  
Class F insulation.  
Built-in thermal protection.  
Continuous operation.

### Limitations

Maximum water temperature: 40° C.

### Equipment

Built-in check valve.  
Unions included.  
Cables without plug.  
Dry-protection function.  
Automatic reset function.

### Operation

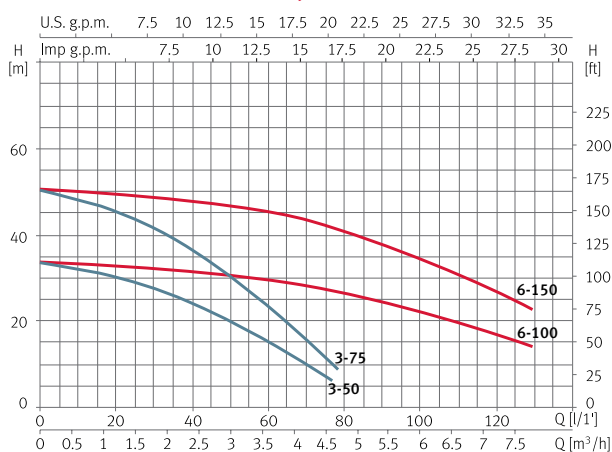
Automatic start and stop based on water demand.



## Hydraulic performance table

Model	I [A]		P1 [kW]	P2		c [μF]	l/min	20	40	60	100	120	Code	
	1~115V	1~220V		[kW]	[HP]								115V/220V	m³/h
PDS 05 3-50	5,8	3,2	0,65	0,37	0,5	30/12	mwc	31	24	15	-	-	210254	210252
PDS 05 3-75	8,5	4,7	0,95	0,55	0,75	30/12		45	36	23	-	-	210273	210256
PDS 05 6-100	-	6	1,2	0,75	1	-/16		33	31	30	22	16	-	210258
PDS 05 6-150	-	8,3	1,8	1,1	1,5	-/25		49	47	45	34	26	-	210276

## Performance curve at 3450 rpm



## Dimension and weight

Model	A	B	C	D	E	Kg
PDS 05 3-50	365	346	1"	1"	121	10,7
PDS 05 3-75	389	346	1"	1"	121	11,5
PDS 05 6-100	394	368	1"	1"	138	15
PDS 05 6-150	488	391	1"	1"	154	18,7

