

Silen I Swimming pool, whirlpool and spa



Centrifugal single stage pump for water recirculation and filtration

Applications

Water recirculation and filtration for small swimming pools.
Silent.
Self-priming up to 4m.

Materials

Pump body, impeller, diffuser, suction and discharge in technopolymer.
Pump shaft in AISI 431.
Mechanical seal in aluminium-graphite.
Motor casing in aluminium.
O-rings in NBR/EPDM.

Equipment

No cable.
Unions included 1^{1/2"}.

Motor

Asynchronous 2 poles.
IPX5 protection.
Class F insulation.
Built-in thermal protection.
Continuous operation.

Limitations

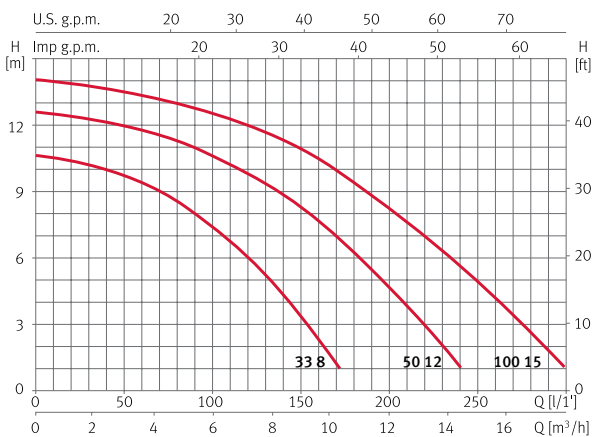
Maximum water temperature: 40° C



Hydraulic performance table

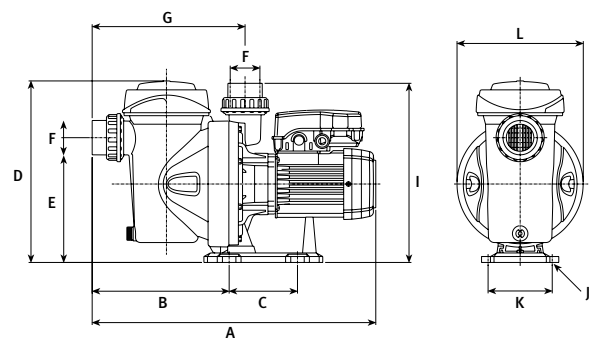
Model	I [A]		P1 [kW]	P2		c [μF] 115V/220V	l/min m³/h	50	100	150	200	250	Code	
	1~115V	1~220V	1~	[kW]	[HP]								1~115V	1~220V
Silen I 33 8	4,9	2,5	0,5	0,25	0,33	30/12	mwc	9,8	7,2	3,2	-	-	206762	206756
Silen I 50 12	5,7	3,2	0,7	0,37	0,5	30/12		12	10,5	8,2	4,7	-	206764	206758
Silen I 100 15	7	4	0,85	0,75	1	30/12		13,5	12,5	10,9	8,2	4,9	206766	206760

Performance curve at 3450 rpm



Dimension and weight

Model	A	B	C	D	E	F	G	I	J	K	L	Kg
Silen I 33	439	192	115	304	210	1 1/2"	221	264	Ø9	108	Ø212	7,8
Silen I 50	439	192	115	304	210	1 1/2"	221	264	Ø9	108	Ø212	8,1
Silen I 100	439	192	115	304	210	1 1/2"	221	264	Ø9	108	Ø212	9



Silen S Swimming pool, whirlpool and spa



Centrifugal single stage pump for water recirculation and filtration

Applications

Water recirculation and filtration for medium swimming pools.
Silent.
Self-priming up to 4m.

Materials

Pump body, impeller, diffuser, suction and discharge in technopolymer.
Pump shaft in AISI 431.
Mechanical seal in aluminium-graphite.
Motor casing in aluminium.
O-rings in NBR/EPDM.

Equipment

No cable.
Unions included 1^{1/2}".

Motor

Asynchronous 2 poles.
IPX5 protection.
Class F insulation.
Single phase motor with built-in thermal protection.
Continuous operation.

Limitations

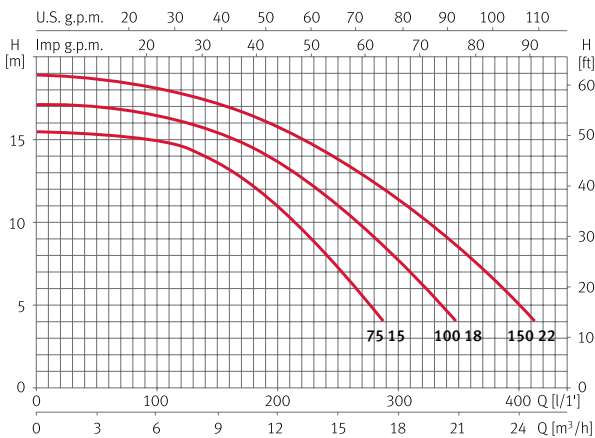
Maximum water temperature: 40° C.



Hydraulic performance table

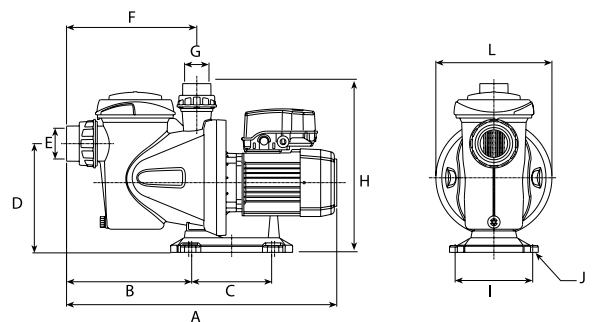
Model	I [A]				P1 [kW]		P2		c [μF] 115V/220V	l/ min m³/h	50	100	200	300	350	Code		
	1~115V	1~220V	3~220V	3~440V	1~	3~	[kW]	[HP]			3	6	12	18	21	1~115V	1~220V	3~220V/440V
Silen S 75 15	10,7	5,3	-	-	1,1	-	0,55	0,75	30/16	mwc	15,3	15	11	-	-	206787	206769	-
Silen S 100 18	12,8	5,7	3,6	2,1	1,3	1,1	0,75	1	30/16		17	16,5	13,8	7,9	-	206781	206779	204872
Silen S 150 22	-	7,3	4,5	2,6	1,6	1,4	1,1	1,5	-/25		18,7	18	15,9	11,4	8,5	-	206777	206789

Performance curve at 3450 rpm



Dimension and weight

Model	A	B	C	D	E	F	G	H	I	J	L	Kg
Silen S 75	555	257	164	225	1 1/2"	267	1 1/2"	308	159	Ø9	238	11,2
Silen S 100	555	257	164	225	1 1/2"	267	1 1/2"	308	159	Ø9	238	11,8
Silen S 150	555	257	164	225	1 1/2"	267	1 1/2"	308	159	Ø9	238	15,6



Silen S2 Swimming pool, whirlpool and spa



Centrifugal single stage pump for water recirculation and filtration

Applications

Water recirculation and filtration for large swimming pools.
Silent.
Self-priming up to 4m.

Materials

Pump body, impeller, diffuser, suction and discharge in technopolymer.
Pump shaft in AISI 431.
Mechanical seal in aluminium-graphite.
Motor casing in aluminium.
O-rings in NBR/EPDM.

Equipment

No cable.
Unions included 2".

Motor

Asynchronous 2 poles.
IPX5 protection.
Class F insulation.
Single phase motor with built-in thermal protection.
Continuous operation.

Limitations

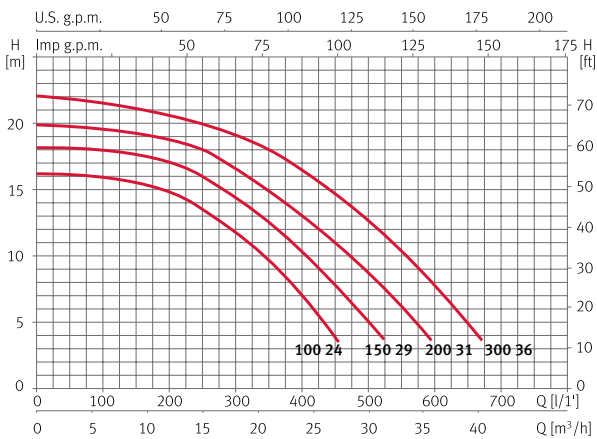
Maximum water temperature: 40° C.



Hydraulic performance table

Model	I [A]			P1 [kW]		P2		c [μF] 220V	l/min m³/h	100	200	300	400	600	Code	
	1~ 220V	3~ 220V	3~ 440V	1~	3~	[kW]	[HP]								1~220V	3~220V/440V
	mwc															
Silen S2 100 24	7,1	-	-	1,5	-	0,75	1	25	16,5	15,5	12	7	-	207202	-	
Silen S2 150 29	8,7	-	-	1,9	-	1,1	1,5	25	18,5	17,5	15	11	-	207204	-	
Silen S2 200 31	10,5	5,7	3,3	2,2	2,2	1,5	2	30	19,5	18,9	16,9	13	-	206771	206776	
Silen S2 300 36	12,5	8,3	4,8	2,7	2,7	2,2	3	60	21,5	20,5	19	16,5	8	206773	206775	

Performance curve at 3450 rpm



Dimension and weight

Model	A	B	C	D	E	F	G	H	I	Kg
Silen S2 100	624	222	272	285	188	268	Ø13	2"	327	15,8
Silen S2 150	624	222	272	285	188	268	Ø13	2"	327	17,5
Silen S2 200	624	222	272	285	188	268	Ø13	2"	327	19,9
Silen S2 300	624	222	272	285	188	268	Ø13	2"	327	22,2

