

Filterkit Base Swimming pool, whirlpool and spa



Sand filter for water filtration

Filterkit Base

Filter with valve made of polyethylene resistant to chemical and weather agents.

Moulded in single piece with base built into the filter.

With top-mounted 6 way valve.

Features

Working pressure: 2 bar.

Maximum pressure: 3 bar.

Connection with 1½" 6 way valve.

Fitted with pressure gauge and air valve.

Double drainage in the lower section of the filter: ½" to totally empty the filter and ¼" to empty water without loss of sand.

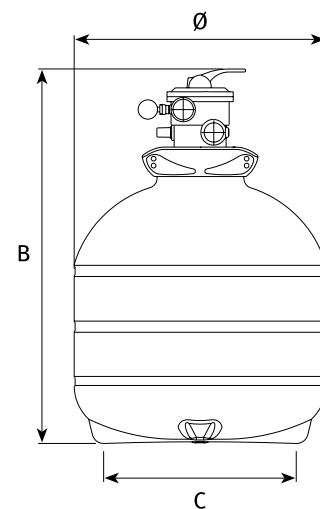


Feature table

Model	Filter			Code
	Ø filter [mm]	Flow [m³/h]	Sand load [Kg]	
FKB 350 6TP	350	6	35	134537
FKB 450 6TP	450	8	75	134538
FKB 550 6TP	550	12	100	134539

Dimension and weight

Model	B	C	Ø	Kg
FKB 350 6TP	735	258	350	5,6
FKB 450 6TP	832	330	450	7,7
FKB 550 6TP	832	440	550	10,1



Sand filter for water filtration

Filterkit Plus

Filter with valve made of polypropylene resistant to chemical and weather agents.

Injection moulded with the two halves thermally welded.

With side-mounted 6 way valve.

Features

Working pressure: 3,5 bar.

Maximum pressure: 7 bar.

Connection with 1½" six way valve for Ø520 and Ø620 mm models and 2" for Ø760 mm model.

Fitted with pressure gauge and air valve.

Double drainage in the lower section of the filter:

1½" to totally empty the filter and ½" to empty water without loss of sand.



Feature table

Model	Filter			Code
	Ø filter [mm]	Flow [m³/h]	Sand load [Kg]	
FKP 520 6LT	520	10	85	130906
FKP 620 6LT	620	14	145	130907
FKP 760 6LT	760	21	300	130908

Dimension and weight

Model	A	B	C	D	E	Ø	Kg
FKP 520 6LT	844	886	422	460	519	520	21,7
FKP 620 6LT	943	957	422	501	560	620	23,7
FKP 760 6LT	1.102	1.114	422	630	715	767	34

