

# Multi VE 94 Superficie vertical



## Centrifugal multistage pump in-line for water supply

### Applications

Pumping of clean water for domestic, industrial, agricultural and gardening purposes.

### Materials

Pump body and impellers in AISI 304.  
Pump shaft in AISI 420.  
Diffusers in technopolymer.  
Suction, discharge and motor-wet end coupling in cast iron.  
Mechanical seal in aluminium-graphite.  
Motor casing in aluminium.  
O-rings in NBR/EPDM.

### Equipment

No cable.  
Counter flanges and gaskets included.  
Motor-wet end coupling system V18-flange C.

### Motor

Asynchronous 2 poles.  
IPX4 protection.  
Class F insulation.  
Continuous operation.

### Limitations

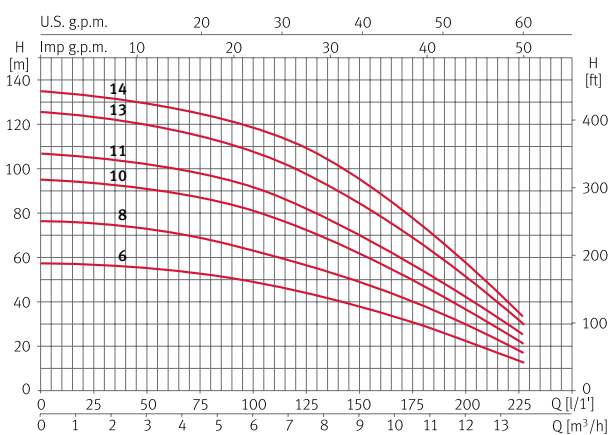
Maximum water temperature: 40° C.



### Hydraulic performance table

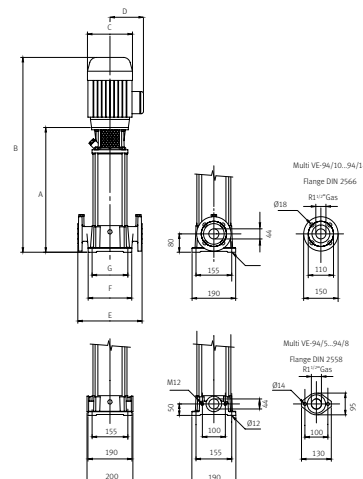
Model	I [A]			P1 [kW]	P2		l/min	mwc								Code	
	3~230V	3~400V	3~692V	3~	[kW]	[HP]		0	50	100	125	150	175	200	225	3~230V/400V	3~400V/692V
Multi VE 94 6	6,7	3,9	-	2,3	1,5	2	58	55	49	44	38	31	22	13	97746	-	
Multi VE 94 8	8,9	5,2	-	3	2,2	3	77	73	63	56	49	40	30	18	97759	-	
Multi VE 94 10	11,7	6,8	-	3,9	3	4	95	91	81	72	62	50	36	22	97710	-	
Multi VE 94 11	12,4	7,2	-	4,4	3	4	108	102	91	82	70	56	42	26	97717	-	
Multi VE 94 13	-	8,6	5	5	4	5,5	125	120	107	97	85	68	51	32	-	97726	
Multi VE 94 14	-	9,7	5,4	5,5	5,5	7,5	135	129	118	109	95	77	57	35	-	97729	

### Performance curve at 2900 rpm



### Dimension and weight

Model	A	B	C	D	E	F	G	Kg
Multi VE 94 6	486	738	176	127	280	190	155	35
Multi VE 94 8	563	838	176	127	280	190	155	38
Multi VE 94 10	666	974	194	138	280	190	155	51
Multi VE 94 11	703	1010	194	138	280	190	155	52
Multi VE 94 13	780	1086	194	138	280	190	155	57
Multi VE 94 14	816	1134	220	146	280	190	155	66



# Multi VE 121N Superficie vertical



## Centrifugal multistage pump in-line for water supply

### Applications

Pumping of clean water for domestic, industrial, agricultural and gardening purposes.

### Materials

Pump body and impellers in AISI 304.  
 Pump shaft in AISI 420.  
 Diffusers in technopolymer.  
 Suction, discharge and motor-wet end coupling in cast iron.  
 Mechanical seal in aluminium-graphite.  
 Motor casing in aluminium.  
 O-rings in NBR/EPDM.

### Equipment

No cable.  
 Counter flanges and gaskets included.  
 Motor-wet end coupling system V1-flange FF.

### Motor

Asynchronous 2 poles.  
 IPX4 protection.  
 Class F insulation.  
 Continuous operation.

### Limitations

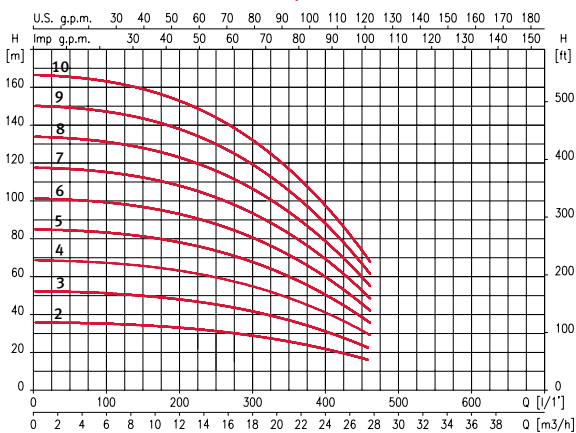
Maximum water temperature: 40° C.



### Hydraulic performance table

Model	I [A]			P1 [kW]	P2		l/min									Code	
	3~230V	3~400V	3~692V	3~	[kW]	[HP]	m³/h	0,0	3,9	7,8	11,7	15,6	19,5	23,4	27,3	3~230V/400V	3~400V/692V
Multi VE 121 2N	10,4	6	-	3	3	4	mwc	33	33	32	31	28	25	20	14	203425	-
Multi VE 121 3N	12,1	7	4	4,2	4	5,5		50	49	48	46	42	37	31	21	203426	203427
Multi VE 121 4N	17,5	10,1	5,8	5,5	5,5	7,5		66	66	64	61	57	50	41	29	203428	203429
Multi VE 121 5N	20,5	11,8	7,7	6,8	5,5	7,5		83	82	80	77	71	62	51	36	203430	203431
Multi VE 121 6N	-	14,6	8,5	7,8	7,5	10		100	99	96	92	85	75	61	43	-	203433
Multi VE 121 7N	-	16,5	9,5	9,2	9,2	12,5		116	115	112	107	99	87	71	50	-	203434
Multi VE 121 8N	-	19,5	11,3	10,6	11	15		133	132	128	123	113	100	81	57	-	203435
Multi VE 121 9N	-	21	12,2	13,8	15	20		150	148	145	138	127	112	92	64	-	203436
Multi VE 121 10N	-	23	13,3	15	15	20		166	165	161	153	141	125	102	71	-	203437

### Performance curve at 2900 rpm



### Dimension and weight

Model	A	B	C	D	E	F	G	Kg
Multi VE 121 2N	470	776	195	140	300	210	130	58
Multi VE 121 3N	522	847	195	140	300	210	130	65
Multi VE 121 4N	574	943	220	182	300	210	130	82
Multi VE 121 5N	626	995	220	182	300	210	130	83
Multi VE 121 6N	678	1085	220	182	300	210	130	86
Multi VE 121 7N	730	1137	220	182	300	210	130	94
Multi VE 121 8N	782	1189	220	182	300	210	130	96
Multi VE 121 9N	834	1241	220	182	300	210	130	103
Multi VE 121 10N	886	1293	220	182	300	210	130	104

