

Multi 25 Superficie vertical



Centrifugal multistage pump for water supply

Applications

Pumping of clean water for domestic, industrial, agricultural and gardening purposes.
Silent.

Materials

Pump body and impellers in AISI 304.
Pump shaft in AISI 420.
Diffusers in technopolymer.
Suction and discharge in cast iron.
Mechanical seal in aluminium-graphite.
Motor casing in aluminium.
O-rings in NBR/EPDM.

Equipment

No cable.
Oval counter flanges DIN 2558 and gaskets included.

Motor

Asynchronous 2 poles.
IPX5 protection.
Class F insulation.
Single phase motor with built-in thermal protection.
Continuous operation.

Limitations

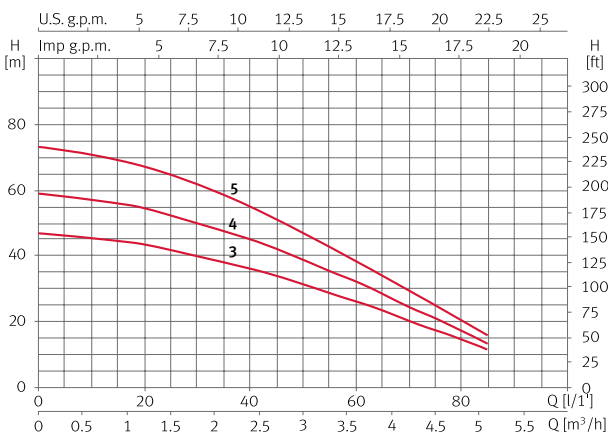
Maximum water temperature: 40° C.



Hydraulic performance table

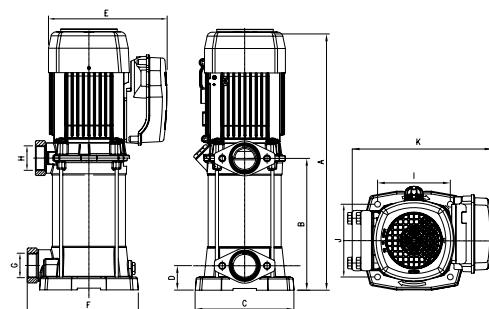
Model	I [A]			P1 [kW]		P2		c [μF]	l/min	8	17	25	33	42	58	75	85	Code	
	1~230V	3~230V	3~400V	1~	3~	[kW]	[HP]											1~230V	3~230V/400V
	m³/h	0,5	1,0	1,5	2,0	2,5	3,5											4,5	5,1
Multi 25 3	4,5	3,2	1,9	1	0,9	0,55	0,75	16	mwc	38	37	36	33	31	25	17	11	134926	134929
Multi 25 4	5,8	3,9	2,3	1,2	1,1	0,75	1	16	53	51	48	46	42	33	22	13	134927	134930	
Multi 25 5	6,4	4,2	2,5	1,4	1,3	0,9	1,2	16	66	64	61	57	52	41	27	16	134928	134931	

Performance curve at 2900 rpm



Dimension and weight

Model	A	B	C	D	E	F	G	H	I	J	K	Kg
Multi 25 3	398	194	170	42	182	191	1 1/4"	1 1/4"	125	197	193	16,2
Multi 25 4	420	205	170	42	203	191	1 1/4"	1 1/4"	125	125	240	17,3
Multi 25 5	442	226	170	42	203	191	1 1/4"	1 1/4"	125	125	240	18,1



Multi 35N Superficie vertical



Centrifugal multistage pump for water supply

Applications

Pumping of clean water for domestic, industrial, agricultural and gardening purposes.
Silent.

Materials

Pump body and impellers in AISI 304.
Pump shaft in AISI 420.
Diffusers in technopolymer.
Suction and discharge in cast iron.
Mechanical seal in aluminium-graphite.
Motor casing in aluminium.
O-rings in NBR/EPDM.

Equipment

No cable.
Oval counter flanges DIN 2558 and gaskets included.

Motor

Asynchronous 2 poles.
IPX5 protection.
Class F insulation.
Single phase motor with built-in thermal protection.
Continuous operation.

Limitations

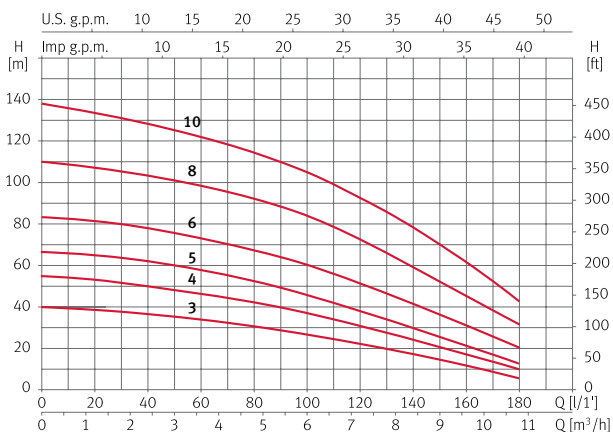
Maximum water temperature: 40° C.



Hydraulic performance table

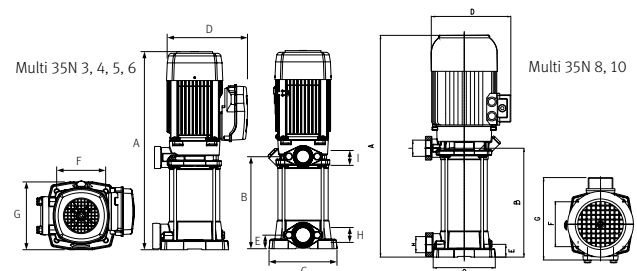
Model	I [A]			P1 [kW]		P2		c [μF]	l/min m³/h	17	33	50	75	100	125	150	175	Code	
	1~230V	3~230V	3~400V	1~	3~	[kW]	[HP]											1~230V	3~230V/400V
	1~	3~	3~	1~	3~	[kW]	[HP]											1~	3~
Multi 35 3N	6,7	4,5	2,6	1,5	1,4	0,75	1	25	mwc	39	37	35	31	27	21	15	7	129334	129338
Multi 35 4N	8,4	5,3	3,1	1,8	1,8	1,1	1,5	25		54	51	48	44	37	29	21	12	129335	129339
Multi 35 5N	10,2	6,9	4	2,3	2,2	1,5	2	30		65	63	60	54	46	36	26	15	129336	129340
Multi 35 6N	-	8,3	4,8	-	2,7	2,2	3	-		82	80	76	69	61	49	37	23	-	129341
Multi 35 8N	-	11,9	6,5	-	3,6	3	4	-		108	105	101	93	85	70	53	35	-	129342
Multi 35 10N	-	15,4	8,9	-	4,9	4	5,5	-		134	130	125	117	105	90	70	47	-	129337

Performance curve at 2900 rpm



Dimension and weight

Model	A	B	C	D	E	F	G	H	I	Kg
Multi 35 3N	487	201,5	184	220	37	133	254	1 1/2"	1 1/4"	20,2/20
Multi 35 4N	511,5	226	184	220	37	133	254	1 1/2"	1 1/4"	22,4/20,4
Multi 35 5N	536	250,5	184	220	37	133	254	1 1/2"	1 1/4"	25,1/22,7
Multi 35 6N	561	275	184	220	37	133	254	1 1/2"	1 1/4"	25,7
Multi 35 8N	657,5	323	184	235,5	37	133	244	1 1/2"	1 1/4"	32,6
Multi 35 10N	707,5	373	184	235,5	37	133	244	1 1/2"	1 1/4"	39,4



Multi 55N Superficie vertical



Centrifugal multistage pump for water supply

Applications

Pumping of clean water for domestic, industrial, agricultural and gardening purposes.
Silent.

Materials

Pump body and impellers in AISI 304.
Pump shaft in AISI 420.
Diffusers in technopolymer.
Suction and discharge in cast iron.
Mechanical seal in aluminium-graphite.
Motor casing in aluminium.
O-rings in NBR/EPDM.

Equipment

No cable.
Oval counter flanges DIN 2558 and gaskets included.

Motor

Asynchronous 2 poles.
IPX5 protection.
Class F insulation.
Single phase motor with built-in thermal protection.
Continuous operation.

Limitations

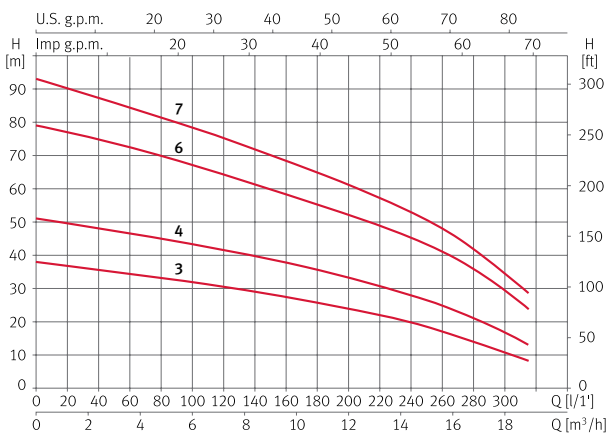
Maximum water temperature: 40° C.



Hydraulic performance table

Model	I [A]			P1 [kW]		P2		c [µF]	l/min	20	50	75	100	150	200	250	300	Code	
	1~230V	3~230V	3~400V	1~	3~	[kW]	[HP]											1~230V	3~230V/400V
Multi 55 3N	9,6	6,6	3,8	2,1	2,1	1,5	2	30	mwc	37	35	33	31	28	24	18	10	131483	131484
Multi 55 4N	-	8,3	4,8	-	2,8	2,2	3	-		50	47	45	43	39	33	26	16	-	131485
Multi 55 6N	-	12,1	7	-	4,2	3	4	-		77	73	70	66	60	52	43	29	-	131486
Multi 55 7N	-	15,6	9	-	4,9	4	5,5	-		90	86	82	78	70	60	50	35	-	131487

Performance curve at 2900 rpm



Dimension and weight

Model	A	B	C	D	E	F	G	H	I	Kg
Multi 55 3N	531	245	184	235,5	37	133	244	1 1/2"	1 1/4"	25,7/23,3
Multi 55 4N	571	285	184	235,5	37	133	244	1 1/2"	1 1/4"	26,6
Multi 55 6N	696	362	184	235,5	37	133	244	1 1/2"	1 1/4"	35,4
Multi 55 7N	736	402	184	235,5	37	133	244	1 1/2"	1 1/4"	39,7

