

Centrifugal multistage pump for water supply

Applications

Pumping of clean water for domestic, industrial, agricultural and gardening purposes.
Silent.

Materials

Pump body and impellers in AISI 304.
Pump shaft in AISI 420.
Diffusers in technopolymer.
Suction and discharge in cast iron.
Mechanical seal in aluminium-graphite.
Motor casing in aluminium.
O-rings in NBR/EPDM.

Equipment

No cable.
Oval counter flanges DIN 2558 and gaskets included.

Motor

Asynchronous 2 poles.
IPX5 protection.
Class F insulation.
Single phase motor with built-in thermal protection.
Continuous operation.

Limitations

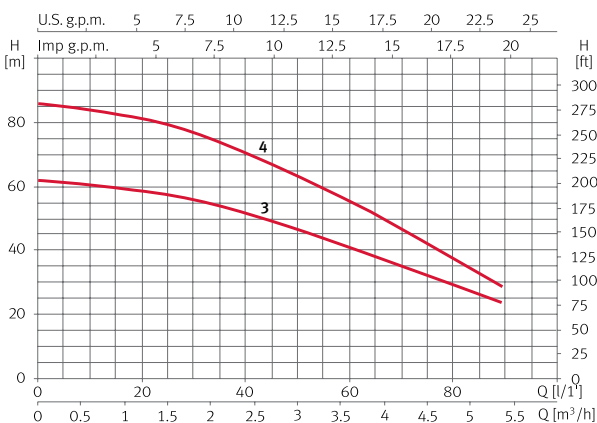
Maximum water temperature: 40° C.



Hydraulic performance table

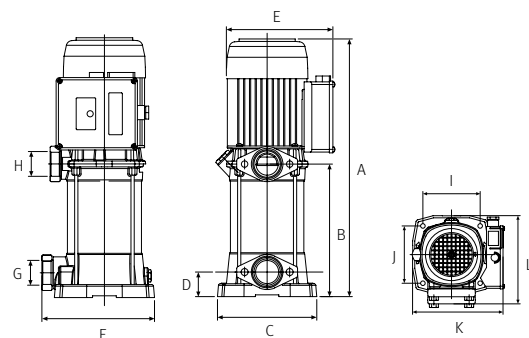
Model	I [A]				P1 [kW]		P2		C [μF] 115V/220V	l/min m³/h	10	20	40	60	80	Code		
	1~115V	1~220V	3~220V	3~440V	1~	3~	[kW]	[HP]			0,6	1,2	2,4	3,6	4,8	1~115V	1~220V	3~220V/440V
Multi 25 3	12,5	7,1	4,1	2,4	1,5	1,4	0,9	1,2	30/16	mwc	60	59	51	40	29	146719	146575	146574
Multi 25 4	-	8,6	5,2	3	1,9	1,8	1,1	1,5	-/25		84	81	70	55	37	-	146576	146579

Performance curve at 3450 rpm



Dimension and weight

Model	A	B	C	D	E	F	G	H	I	J	K	L	Kg
Multi 25 3	398	194	170	42	182	191	1 1/4"	1 1/4"	125	197	193	125	16,2
Multi 25 4	422	205	170	42	182	191	1 1/4"	1 1/4"	125	197	193	125	17,3



Multi 35N Surface vertical



Centrifugal multistage pump for water supply

Applications

Pumping of clean water for domestic, industrial, agricultural and gardening purposes.
Silent.

Materials

Pump body and impellers in AISI 304.
Pump shaft in AISI 420.
Diffusers in technopolymer.
Suction and discharge in cast iron.
Mechanical seal in aluminium-graphite.
Motor casing in aluminium.
O-rings in NBR/EPDM.

Equipment

No cable.
Oval counter flanges DIN 2558 and gaskets included.

Motor

Asynchronous 2 poles.
IPX5 protection.
Class F insulation.
Single phase motor with built-in thermal protection.
Continuous operation.

Limitations

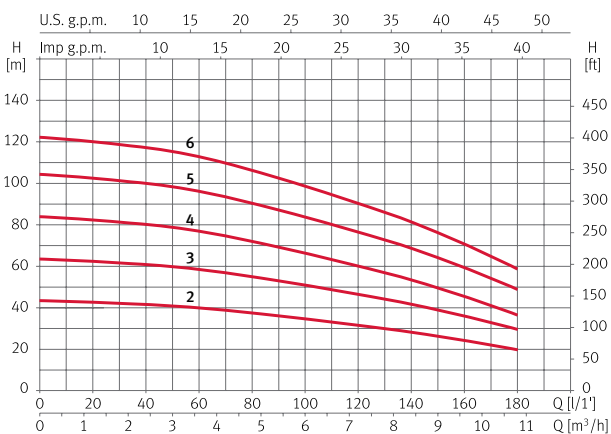
Maximum water temperature: 40° C.



Hydraulic performance table

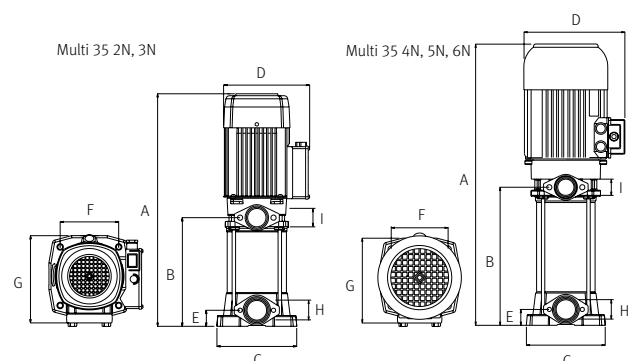
Model	I [A]			P1 [kW]		P2		c [μF] 220V	l/min m³/h	20	60	80	120	160	Code	
	1~ 220V	3~ 220V	3~ 440V	1~	3~	[kW]	[HP]								1~220V	3~220V/440V
Multi 35 2N	8,1	5,2	2,9	1,8	1,7	1,1	1,5	25	mwc	42	40	38	31	25	132320	132323
Multi 35 3N	11,5	7,3	4,2	2,5	2,4	1,5	2	30		62	59	56	48	36	132321	132324
Multi 35 4N	-	9	5,5	-	3,2	2,2	3	-		82	78	71	60	46	-	132325
Multi 35 5N	-	13	7,5	-	4,1	3	4	-		102	97	90	78	60	-	132326
Multi 35 6N	-	14,7	8,5	-	4,8	4	5,5	-		120	112	108	90	70	-	132327

Performance curve at 3450 rpm



Dimension and weight

Model	A	B	C	D	E	F	G	H	I	Kg
Multi 35 2N	463	177	184	203	37	133	201	1 1/2"	1 1/4"	21,6
Multi 35 3N	487	202	184	203	37	133	201	1 1/2"	1 1/4"	24,5
Multi 35 4N	561	226	184	203	37	133	201	1 1/2"	1 1/4"	31
Multi 35 5N	585	251	184	203	37	133	201	1 1/2"	1 1/4"	36,4
Multi 35 6N	610	275	184	203	37	133	201	1 1/2"	1 1/4"	36,8



Multi 45N Surface vertical



Centrifugal multistage pump for water supply

Applications

Pumping of clean water for domestic, industrial, agricultural and gardening purposes.
Silent.

Materials

Pump body and impellers in AISI 304.
Pump shaft in AISI 420.
Diffusers in technopolymer.
Suction and discharge in cast iron.
Mechanical seal in aluminium-graphite.
Motor casing in aluminium.
O-rings in NBR/EPDM.

Equipment

No cable.
Oval counter flanges DIN 2558 and gaskets included.

Motor

Asynchronous 2 poles.
IPX5 protection.
Class F insulation.
Single phase motor with built-in thermal protection.
Continuous operation.

Limitations

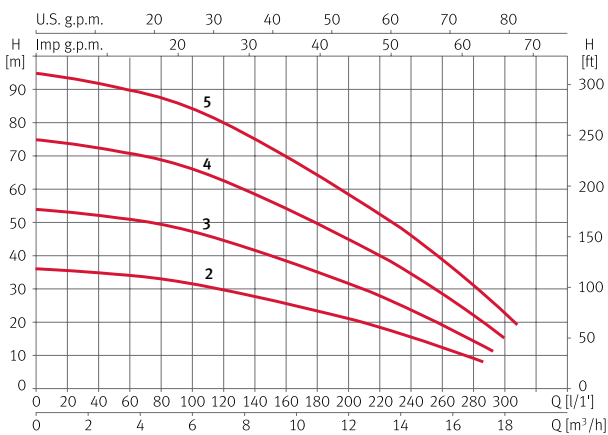
Maximum water temperature: 40° C.



Hydraulic performance table

Model	I [A]			P1 [kW]		P2		C [μF] 220V	l/min	60	120	160	200	260	Code	
	1~ 220V	3~ 220V	3~ 440V	1~	3~	[kW]	[HP]								1~220V	3~220V/440V
	m³/h		3,6	7,2	9,6	12	15,6									
Multi 45 2N	9,2	5,9	3,4	2	1,9	1,5	2	25	mwc	35	30	26	21	13	134267	134269
Multi 45 3N	-	8,3	4,8	-	2,8	2,2	3	-		51	45	39	31	20	-	134270
Multi 45 4N	-	11,2	6,5	-	3,9	3	4	-		70	63	55	45	29	-	134271
Multi 45 5N	-	15,4	8,9	-	5	4	5,5	-		90	80	70	58	39	-	134272

Performance curve at 3450 rpm



Dimension and weight

Model	A	B	C	D	E	F	G	H	I	Kg
Multi 45 2MN	506	190	184	203	37	133	201	1 1/2"	1 1/4"	23,5
Multi 45 2N	476	190	184	203	37	133	201	1 1/2"	1 1/4"	23,4
Multi 45 3N	537	221	184	203	37	133	201	1 1/2"	1 1/4"	25,8
Multi 45 4N	585	250	184	203	37	133	201	1 1/2"	1 1/4"	31,2
Multi 45 5N	616	281	184	203	37	133	201	1 1/2"	1 1/4"	36,7

