

# Drain 100 Drainage



## Submersible pump for waste water

### Applications

Evacuation, transfer and emptying of waste water.

### Materials

Pump body in AISI 304.  
 Pump shaft in AISI 420.  
 Impeller in technopolymer.  
 Suction and discharge in cast iron.  
 Double mechanical seal in aluminium-graphite.  
 O-rings in NBR/EPDM.

### Equipment

Float switch and 10m of cable with plug type F.  
 External capacitor with capacitor box included.

### Motor

Asynchronous 2 poles.  
 IP68 protection.  
 Continuous operation.  
 Class F insulation.  
 Built-in thermal protection.

### Limitations

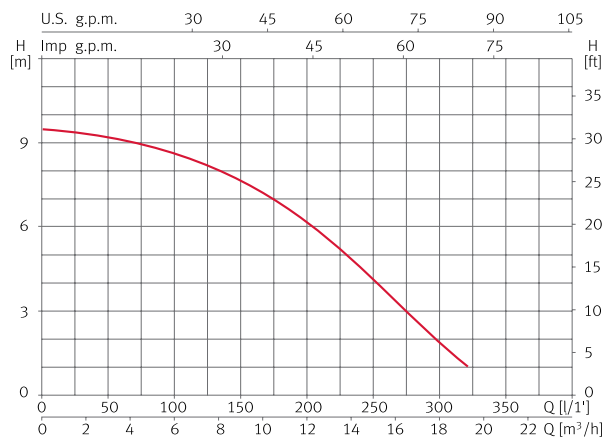
Maximum water temperature: 40°C.  
 Maximum solids passage: Ø 7mm.  
 Maximum submersion: 7m.



### Hydraulic performance table

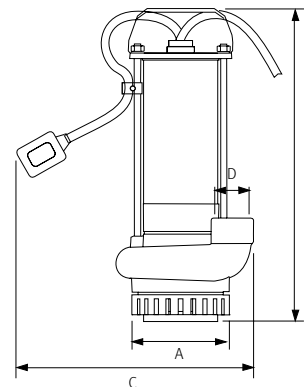
Model	I [A]	P1 [kW]	P2		c [µF]	l/min m³/h	25	50	100	150	200	250	300	320	Code
	1~230V	1~	[kW]	[HP]											
Drain 100	3,1	0,9	0,75	1	12	mwc	9,2	9,1	8,7	7,8	6	4	2	1	96601

### Performance curve at 2900 rpm



### Dimension and weight

Model	A	B	C	D	Kg
Drain 100	122	392	300	1 1/4"	10,5



## Submersible pump for waste water with solids in suspension, vortex system

### Applications

Evacuation, transfer and emptying of waste water with solids in suspension.

### Materials

Pump body in AISI 304.  
 Pump shaft in AISI 420.  
 Suction and discharge in cast iron.  
 Impeller in brass.  
 Double mechanical seal in aluminium-graphite.  
 O-rings in NBR/EPDM.

### Equipment

Float switch and 10m of cable with plug type F.  
 External capacitor with capacitor box included.

### Motor

Asynchronous 2 poles.  
 IP68 protection.  
 Continuous operation.  
 Class F insulation.  
 Built-in thermal protection.

### Limitations

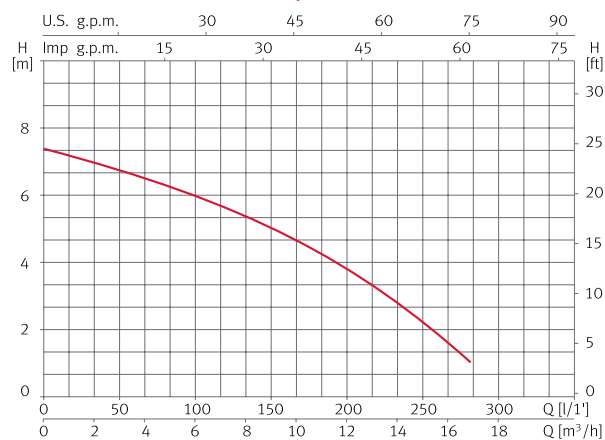
Maximum water temperature: 40°C.  
 Maximum solids passage: Ø 35mm.  
 Maximum submersion: 7m.



### Hydraulic performance table

Model	I [A]	P1 [kW]	P2		c [µF]	l/min	25	50	100	125	150	200	250	280	Code
	1~230V	1~	[kW]	[HP]		m³/h	1,5	3,0	6,0	7,5	9,0	12	15	16,8	1~230V
Drainex 100	3,4	0,9	0,75	1	12	<b>mwc</b>	7	6,7	5,9	5,5	5	3,7	2	1	96625

### Performance curve at 2900 rpm



### Dimension and weight

Model	A	B	C	D	Kg
Drainex 100	138	407	300	1 1/4"	11

