

## Submersible pump for waste water with solids in suspension, vortex system

### Applications

Evacuation, transfer and emptying of waste water with solids in suspension.

### Materials

Pump and impeller in cast iron.  
Pump shaft in AISI 420.  
Mechanical seal in aluminium-graphite.  
O-rings in NBR/EPDM.

### Equipment

90° elbow included.  
Model MA: float switch.  
Model M/T: without float switch.  
10m of cable without plug.  
115V: external capacitor.  
220V: internal capacitor.

### Motor

Asynchronous 2 poles.  
IP68 protection.  
Class F insulation.  
Single phase motor with built-in thermal protection.  
Continuous operation.

### Limitations

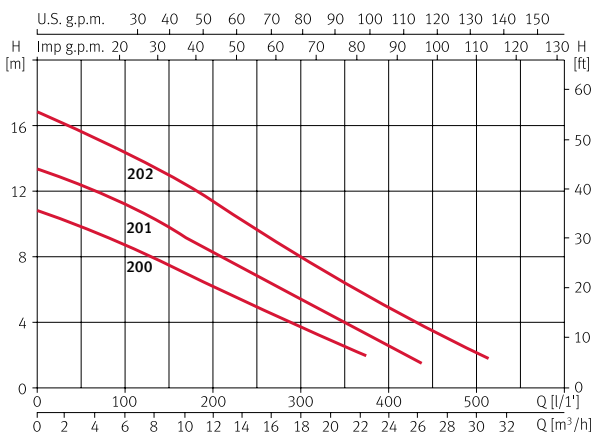
Maximum water temperature: 40° C.  
Maximum solids passage: Ø 45mm.  
Maximum submersion: 7m.



### Hydraulic performance table

Model	I [A]				P1 [kW]		P2		C [µF] 115V/220V	l/min m³/h	100	200	300	400	500	Code					
	1~115V	1~220V	3~220V	3~440V	1~	3~	[kW]	[HP]			6	12	18	24	30	1~115V (Mod. M)	1~220V (Mod. M)	1~115V (Mod. MA)	1~220V (Mod. MA)	3~220V (Mod. T)	3~440V (Mod. T)
Drainex 200	9	6,2	3,1	1,8	1,2	1,2	1,1	1,5	30/16	mwc	9	6	3,9	-	-	98561	96651	98559	96653	96645	96647
Drainex 201	11	6,5	3,3	1,9	1,4	1,4	1,1	1,5	30/16		11	8,1	5,8	2,8	-	98565	96663	-	96665	96659	96661
Drainex 202	15	8,5	4,1	2,4	1,6	1,5	1,1	1,5	30/16		14	11,5	8	5	2	98567	-	196191	96675	96669	96671

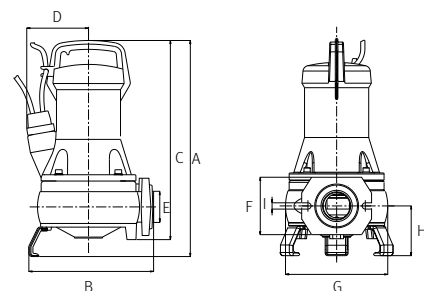
### Performance curve at 3450 rpm



### Dimension and weight

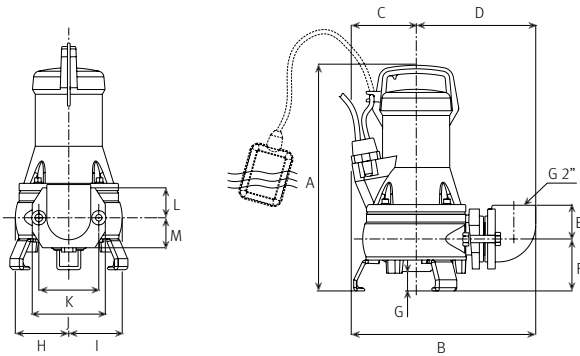
Model	A	B	C	D	E	F	G	H	I	Kg
Drainex 200	415	240	383	119	2"	110	196	95	12	25
Drainex 201	415	240	383	119	2"	110	196	95	12	25
Drainex 202	415	240	383	119	2"	110	196	95	12	25

Ø Impeller in mm: Drainex 200: 105. Drainex 201: 115. Drainex 202: 124.



## Dimension portable version

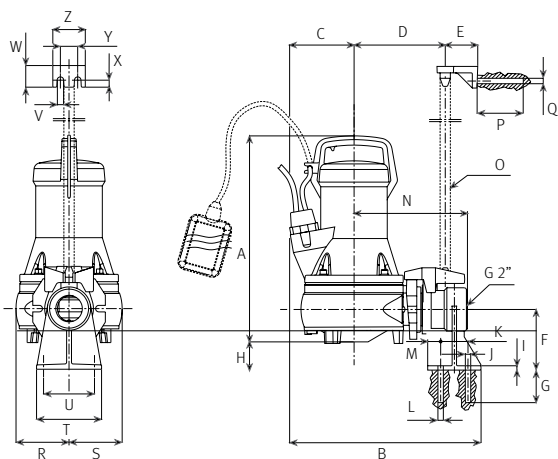
A	B	C	D	E	F	G	H	I	J	K	L	M
437	338	110	219	62	95	49	98	98	134	110	55	55



## Dimension stationary version

A	B	C	D	E	F	G	H	I	J	K	L	M
388	353	110	168	60	112	60	52	8	12	51	Ø10	24

N	O	P	Q	R	S	T	U	V	W	X	Y	Z
209	Ø25	85	Ø10	98	98	120	94	12	40	13	32	60



## Submersible pump for waste water with solids in suspension, vortex system

### Applications

Evacuation, transfer and emptying of waste water with solids in suspension.

### Materials

Pump and impeller in cast iron.  
Pump shaft in AISI 420.  
Mechanical seal in aluminium-graphite.  
O-rings in NBR/EPDM.

### Equipment

90° elbow included.  
Model MA: float switch.  
Model M/T: without float switch.  
10m of cable without plug.  
115V: external capacitor.  
220V: internal capacitor.

### Motor

Asynchronous 2 poles.  
IP68 protection.  
Class F insulation.  
Single phase motor with built-in thermal protection.  
Continuous operation.

### Limitations

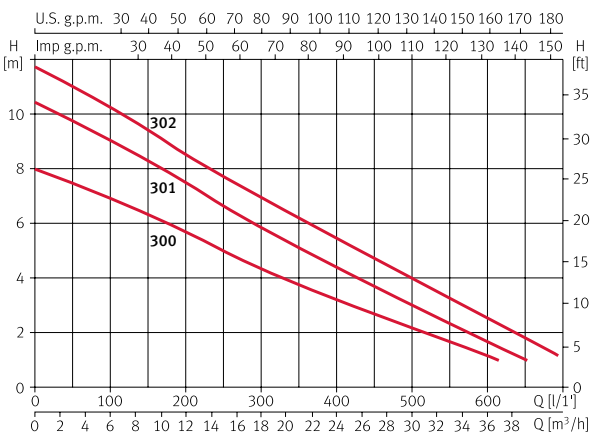
Maximum water temperature: 40° C.  
Maximum solids passage: Ø 65mm.  
Maximum submersion: 7m.



### Hydraulic performance table

Model	I [A]				P1 [kW]		P2		c [µF]	l/min m³/h	200	300	400	500	600	Code					
	1~115V	1~220V	3~220V	3~440V	1~	3~	[kW]	[HP]			115V/220V	12	18	24	30	36	1~115V (Mod. M)	1~220V (Mod. M)	1~115V (Mod. MA)	1~220V (Mod. MA)	3~220V (Mod. T)
	Drainex 300	13	7,6	3,6	2,1	1,4	1,2	1,1	1,5		30/16	mwc	5,8	4,1	3,1	2,1	1	98571	96683	98569	96685
Drainex 301	16	8,2	4,5	2,6	1,7	1,6	1,1	1,5	30/16		7,8	5,9	4,2	3	1,8	98573	96693	-	96695	96689	96691
Drainex 302	-	9	4,9	2,8	1,9	1,8	1,1	1,5	30/16		8,2	7	5,5	4	2,5	-	96703	-	96705	96699	96701

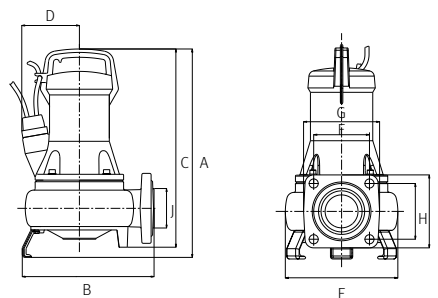
### Performance curve at 3450 rpm



### Dimension and weight

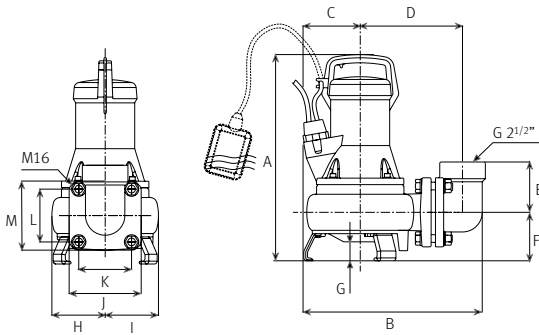
Model	A	B	C	D	E	F	G	H	I	J	Kg
Drainex 300	429	272	408	119	222	110	150	110	144	2 1/2"	28
Drainex 301	429	272	408	119	222	110	150	110	144	2 1/2"	28
Drainex 302	429	272	408	119	222	110	150	110	144	2 1/2"	28

Ø Impeller in mm: Drainex 300: 105. Drainex 301: 115. Drainex 302: 124.



## Dimension portable version

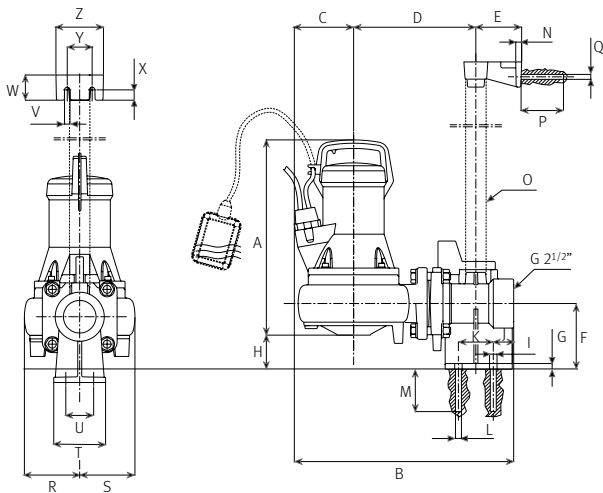
A	B	C	D	E	F	G	H	I	J	K	L	M
455	373	108	213	105	101	62	111	111	150	110	110	144



## Dimension stationary version

A	B	C	D	E	F	G	H	I	J	K	L	M
405	441	108	246	92	132	12	75	15	38	70	Ø12	85

N	O	P	Q	R	S	T	U	V	W	X	Y	Z
12	Ø42	85	Ø10	111	111	104	56	11	51	21	50	95



## Submersible pump for waste water with solids in suspension, vortex system

### Applications

Evacuation, transfer and emptying of waste water with solids in suspension.

### Materials

Pump and impeller in cast iron.  
Pump shaft in AISI 420.  
Mechanical seal in aluminium-graphite.  
O-rings in NBR/EPDM.

### Equipment

10m of cable without plug.

### Motor

Asynchronous 2 poles.  
IP68 protection.  
Class F insulation.  
Continuous operation.

### Limitations

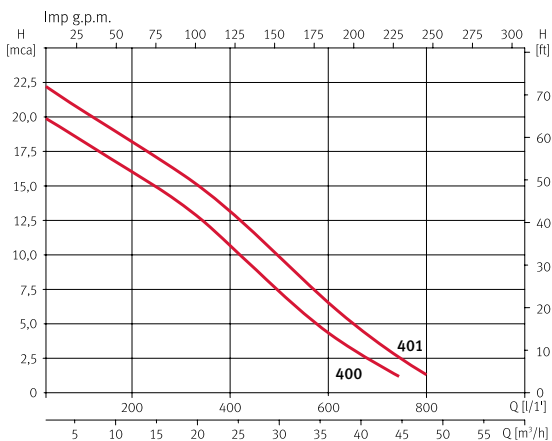
Maximum water temperature: 40° C.  
Maximum solids passage: Ø 45mm.  
Maximum submersion: 7m.



### Hydraulic performance table

Model	I [A]		P1 [kW]	P2		l/min	200	300	400	500	600	Code	
	3~220V	3~440V	3~	[kW]	[HP]							m³/h	3~220V
Drainex 400	7,9	4,1	2,4	2,2	3	mwc	12	18	24	30	36	151488	138899
Drainex 401	8,5	4,9	2,8	2,2	3		18	16	13	10	7	151491	138900

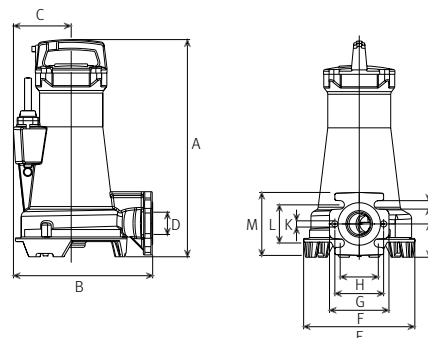
### Performance curve at 3450 rpm



### Dimension and weight

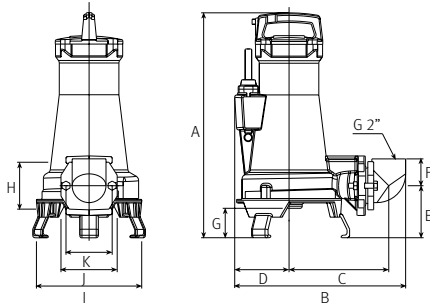
Model	A	B	C	D	E	F	G	H	I	J	K	L	M	Kg
Drainex 400	488	313	130	Ø50	251	134	110	86	75	19	Ø14	86	142	45
Drainex 401	488	313	130	Ø50	251	134	110	86	75	19	Ø14	86	142	45

Ø Impeller in mm: Drainex 400: 115. Drainex 401: 125.



## Dimension portable version

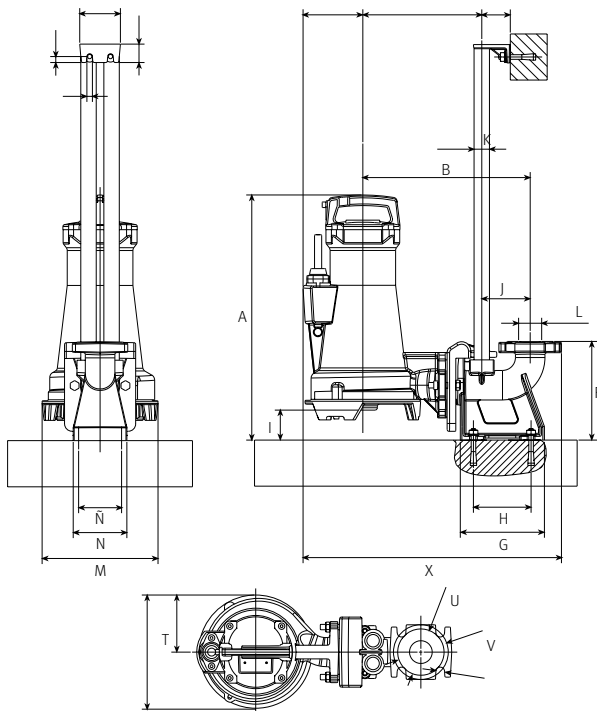
A	B	C	D	E	F	G	H	I	J	K
537	408	238	130	124	64	70	110	251	134	110



## Dimension stationary version

A	B	C	D	E	F	G	H	I	J	K	L
532	363	130	258	62	214	183	125	65	105	1"	Ø50

M	N	Ñ	O	P	Q	R	S	T	U	V	W	X
251	116	93	88	40	13	12	251	125	100	121	19	561



## Submersible pump for waste water with solids in suspension, vortex system

### Applications

Evacuation, transfer and emptying of waste water with solids in suspension.

### Materials

Pump and impeller in cast iron.  
Pump shaft in AISI 420.  
Mechanical seal in aluminium-graphite.  
O-rings in NBR/EPDM.

### Equipment

10m of cable without plug.

### Motor

Asynchronous 2 poles.  
IP68 protection.  
Class F insulation.  
Continuous operation.

### Limitations

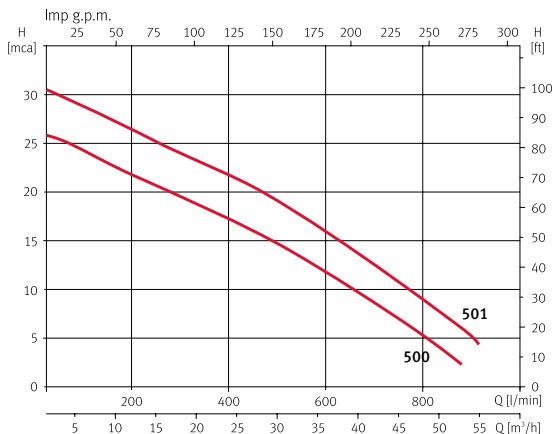
Maximum water temperature: 40° C.  
Maximum solids passage: Ø 45mm.  
Maximum submersion: 7m.



### Hydraulic performance table

Model	I [A]		P1 [kW]	P2		l/min	200	300	500	600	800	Code	
	3~220V	3~440V	3~	[kW]	[HP]							m³/h	3~220V
Drainex 500	11,4	6,6	3,9	3,7	5	mwc	22	19	15	12	5	151489	138901
Drainex 501	13,7	7,9	4,9	3,7	5		27	24	18	16	9	151493	138902

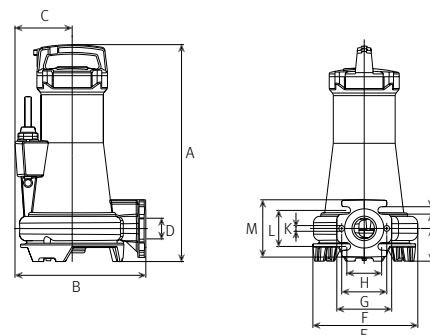
### Performance curve at 3450 rpm



### Dimension and weight

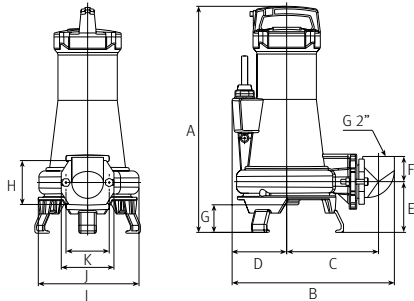
Model	A	B	C	D	E	F	G	H	I	J	K	L	M	Kg
Drainex 500	526	317	139	Ø50	256	134	110	85	80	18	Ø14	88	140	55
Drainex 501	526	317	139	Ø50	256	134	110	85	80	18	Ø14	88	140	55

Ø Impeller in mm: Drainex 500: 140. Drainex 501: 150.



## Dimension portable version

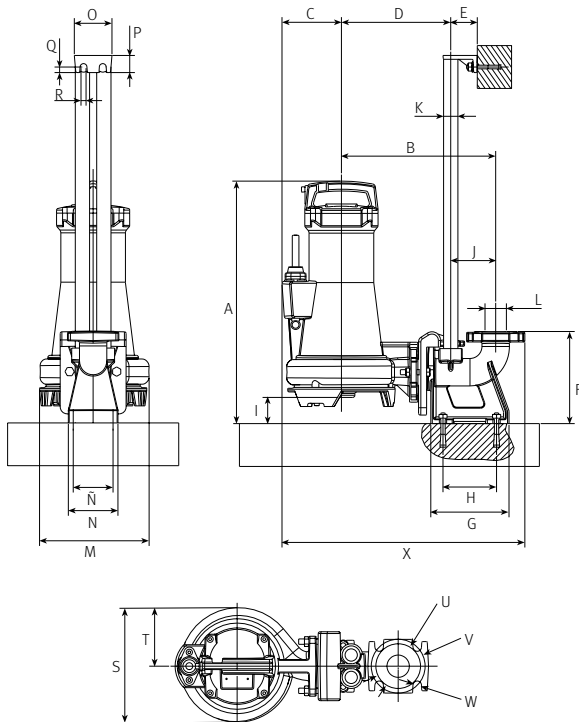
A	B	C	D	E	F	G	H	I	J	K
575	412	234	139	129	64	70	110	256	134	110



## Dimension stationary version

A	B	C	D	E	F	G	H	I	J	K	L
566	360	139	255	62	215	183	125	61	105	1"	Ø50

M	N	N̄	O	P	Q	R	S	T	U	V	W	X
256	116	93	88	40	13	12	256	131	100	120	19	567





## Submersible pump for waste water with solids in suspension, vortex system

### Applications

Evacuation, transfer and emptying of waste water with solids in suspension.

### Materials

Pump and impeller in cast iron.  
Pump shaft in AISI 420.  
Mechanical seal in aluminium-graphite.  
O-rings in NBR/EPDM.

### Equipment

10m of cable without plug.

### Motor

Asynchronous 2 poles.  
IP68 protection.  
Class F insulation.  
Continuous operation.

### Limitations

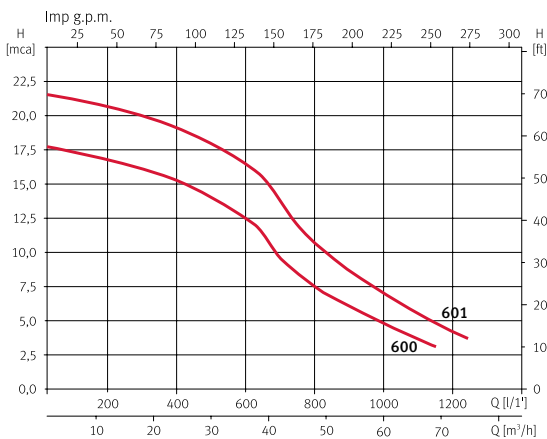
Maximum water temperature: 40° C.  
Maximum solids passage: Ø 65mm.  
Maximum submersion: 7m.



### Hydraulic performance table

Model	I [A]		P1 [kW]	P2		l/min	200	400	600	800	1.000	Code	
	3~ 220V	3~ 440V	3~	[kW]	[HP]							m³/h	3~220V
Drainex 600	11,8	6,8	4	3,7	5	mwc	17	15	12,5	7,5	5	151490	138903
Drainex 601	14,3	8,3	5,1	3,7	5		21	19	16,5	11	7,5	151494	138904

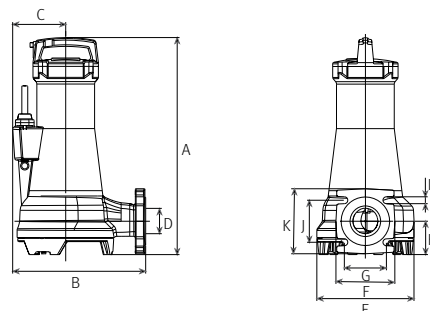
### Performance curve at 3450 rpm



### Dimension and weight

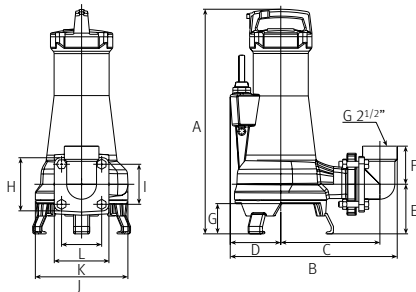
Model	A	B	C	D	E	F	G	H	I	J	K	Kg
Drainex 600	567	348	139	Ø65	254	154	110	87	18	110	170	60
Drainex 601	567	348	139	Ø65	254	154	110	87	18	110	170	60

Ø Impeller in mm: Drainex 600: 125. Drainex 601: 135.



## Dimension portable version

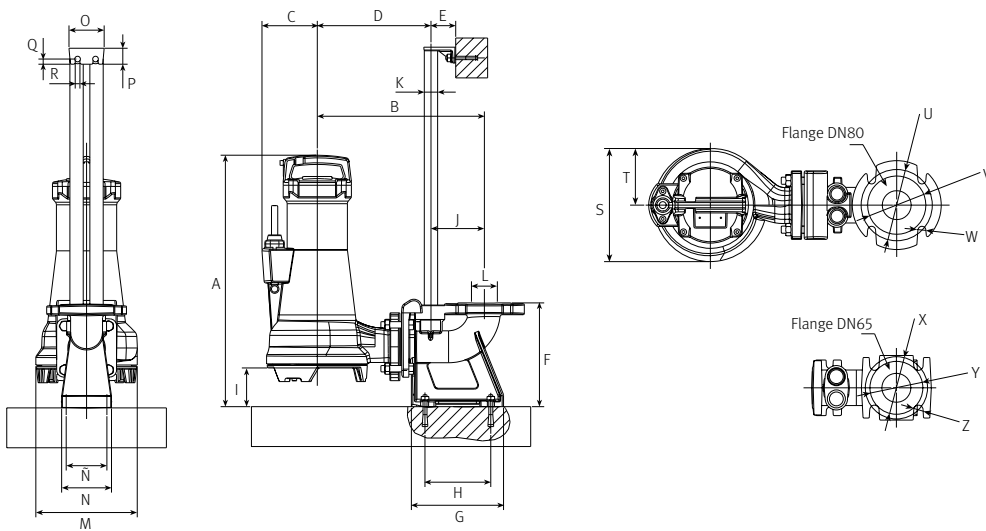
A	B	C	D	E	F	G	H	I	J	K	L
616	458	272	139	136	105	83	144	110	254	150	110



## Dimension stationary version

A	B	C	D	E	F	G	H	I	J	K	L	M
630	419	319	285	62	260	231	165	97	134	1"	Ø65	254

N	Ñ	O	P	Q	R	S	T	U	V	W	X	Y	Z
125	102	88	40	13	12	254	127	Ø60	Ø133	Ø18	Ø140	Ø120	Ø21



# Accessories Drainex and Draincor Drainage



## Installation kit for Drainex 200/300/400/500/600 and Draincor 180/200

### Stationary version for Drainex 200 and Draincor 180/200



Support base for automatic anchoring



Clamping flange



Upper anchoring on guide tube

Kit	Code
DR1	100527

### Stationary version for Drainex 300



Support base for automatic anchoring



Clamping flange



Upper anchoring on guide tube

Kit	Code
DR2	100528

### Stationary version for Drainex 400/500

DN65 (flange 65)



Support base with elbow for automatic anchoring

DIN 2501 PN16



Clamping flange

ANSI 150 2"



Upper anchoring on double guide tube

Kit	Code
DR3.2	207381

### Portable version for Drainex 400/500



90° elbow at 2"



Stainless steel feet

Kit	Code
DR6	132139
DR6 NPT	151472

### Stationary version for Drainex 600

DN65 (flange 65)



Support base with elbow for automatic anchoring

DIN 2501 PN16



Clamping flange

ANSI 150 2 1/2"



Upper anchoring on double guide tube

Kit	Code
DR4.2	207379

### Portable version for Drainex 600



90° elbow at 2 1/2"



Stainless steel feet

Kit	Code
DR7	132140
DR7 NPT	151473