

Submersible pump for waste water with solids in suspension, grinder system

Applications

Evacuation, transfer and emptying of waste water with solids in suspension.

Materials

Pump and impeller in cast iron.
Grinder blade in steel.
Pump shaft in AISI 420.
Mechanical seal in aluminium-graphite.
O-rings in NBR/EPDM.

Equipment

90° elbow included.
Model MA: float switch.
Model M/T: without float switch.
10m of cable without plug.
External capacitor with capacitor box included.

Motor

Asynchronous 2 poles.
IP68 protection.
Class F insulation.
Single phase motor with built-in thermal protection.
Continuous operation.

Limitations

Maximum water temperature: 40° C.
Maximum submersion: 7m.



Model MA

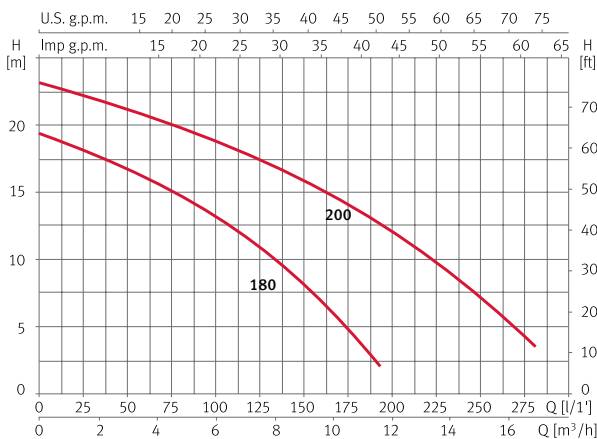


Model M/T

Hydraulic performance table

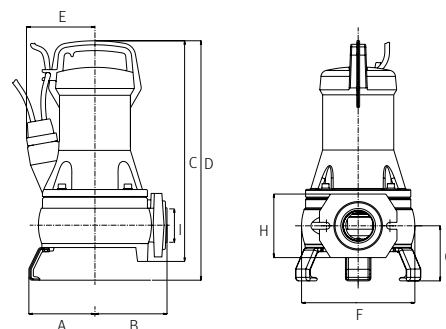
Model	I [A]			P1 [kW]		P2		c [μF]	l/min	50	100	150	200	250	Code		
	1~220V	3~220V	3~440V	1~	3~	[kW]	[HP]								220v	m³/h	3
Draincor 180	8	4,7	2,7	1,7	1,6	1,1	1,5	16+40	mvc	17	13	8	-	-	96612	96606	96608
Draincor 200	8,9	5,4	3,1	1,9	1,8	1,3	1,7	25+50		21	19	16	12	7	96619	96614	96616

Performance curve at 3450 rpm



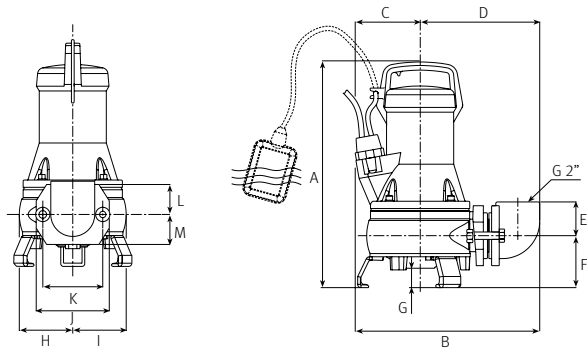
Dimension and weight

Model	A	B	C	D	E	F	G	H	I	Kg
Draincor 180	115	125	383	415	119	196	92	110	1 1/2"	25
Draincor 200	115	125	383	415	119	196	92	110	1 1/2"	25



Dimension portable version

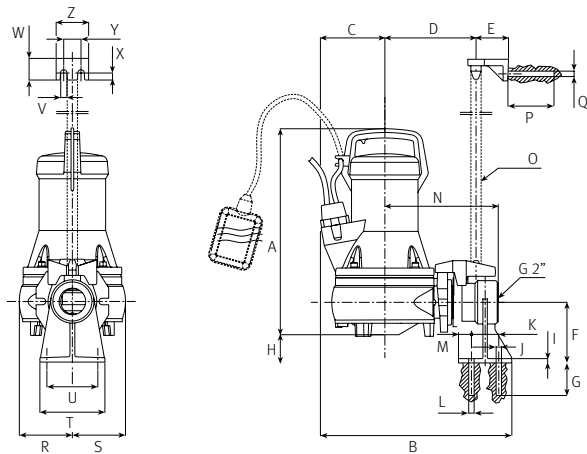
A	B	C	D	E	F	G	H	I	J	K	L	M
437	338	110	219	62	95	49	98	98	134	110	55	55



Dimension stationary version

A	B	C	D	E	F	G	H	I	J	K	L	M
388	353	110	168	60	112	60	52	8	12	51	Ø10	24

N	O	P	Q	R	S	T	U	V	W	X	Y	Z
209	Ø25	85	Ø10	98	98	120	94	12	40	13	32	60



Accessories Drainex and Draincor Drainage



Installation kit for Drainex 200/300/400/500/600 and Draincor 180/200

Stationary version for Drainex 200 and Draincor 180/200



Support base for automatic anchoring



Clamping flange



Upper anchoring on guide tube

Kit	Code
DR1	100527

Stationary version for Drainex 300



Support base for automatic anchoring



Clamping flange



Upper anchoring on guide tube

Kit	Code
DR2	100528

Stationary version for Drainex 400/500

DN65 (flange 65)



Support base with elbow for automatic anchoring

DIN 2501 PN16



Clamping flange

ANSI 150 2"



Upper anchoring on double guide tube

Kit	Code
DR3.2	207381

Portable version for Drainex 400/500



90° elbow at 2"



Stainless steel feet

Kit	Code
DR6	132139
DR6 NPT	151472

Stationary version for Drainex 600

DN65 (flange 65)



Support base with elbow for automatic anchoring

DIN 2501 PN16



Clamping flange

ANSI 150 2 1/2"



Upper anchoring on double guide tube

Kit	Code
DR4.2	207379

Portable version for Drainex 600



90° elbow at 2 1/2"



Stainless steel feet

Kit	Code
DR7	132140
DR7 NPT	151473