

## Submersible pump for waste water with solids in suspension, vortex system

### Applications

Evacuation, transfer and emptying of waste water with solids in suspension.

### Materials

Pump and impeller in cast iron.  
Pump shaft in AISI 420.  
Mechanical seal in aluminium-graphite.  
O-rings in NBR/EPDM.

### Equipment

90° elbow included.  
Model MA: float switch and 10m of cable with plug type F.  
Model M: without float switch and 10m of cable with plug type F.  
Model T: without float switch and 10m of cable without plug.  
Internal capacitor.

### Motor

Asynchronous 2 poles.  
IP68 protection.  
Continuous operation.  
Class F insulation.  
Single phase motor with built-in thermal protection.

### Limitations

Maximum water temperature: 40° C.  
Maximum solids passage: Ø 45mm.  
Maximum submersion: 7m.



Model MA

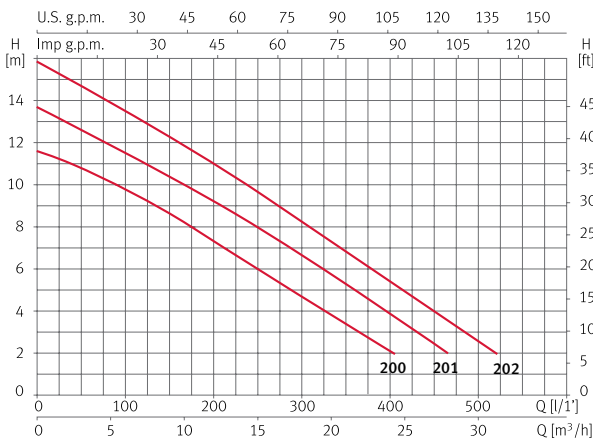


Model M/T

### Hydraulic performance table

Model	I [A]		P1 [kW]		P2		c [µF]	l/min m³/h	50	100	200	300	400	500	Code		
	1~230V	3~400V	1~	3~	[kW]	[HP]			3,0	6,0	12	18	24	30	1~230V (Model M)	1~230V (Model MA)	3~400V (Model T)
Drainex 200	5,4	2,3	1,3	1,3	1,1	1,5	16	mwc	10,7	9,7	7,4	4,9	2,3	-	96652	96654	96648
Drainex 201	6,6	2,6	1,4	1,4	1,1	1,5	16		13,2	11,9	9,4	6,7	3,8	-	96664	96666	96662
Drainex 202	7,4	2,8	1,6	1,6	1,1	1,5	16		15,1	13,8	11,3	8,5	5,6	2,5	96674	96676	96672

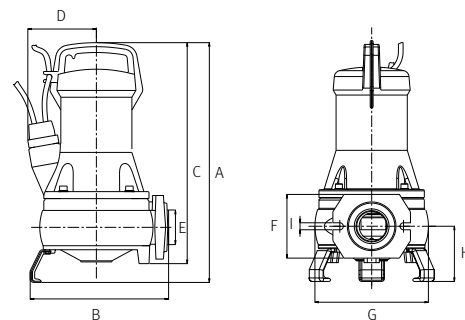
### Performance curve at 2900 rpm



### Dimension and weight

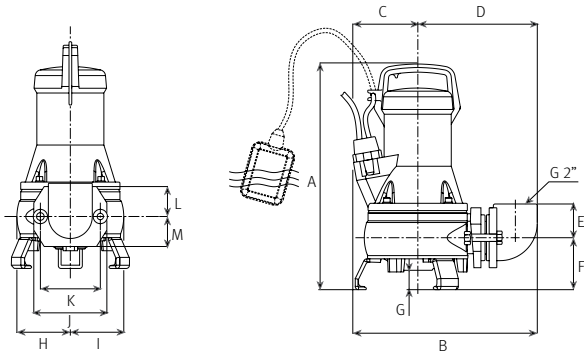
Model	A	B	C	D	E	F	G	H	I	Kg
Drainex 200	415	240	383	119	2"	110	196	95	12	25
Drainex 201	415	240	383	119	2"	110	196	95	12	25
Drainex 202	415	240	383	119	2"	110	196	95	12	25

Ø Impeller in mm: Drainex 200: 105. Drainex 201: 115. Drainex 202: 124.



## Dimension portable version

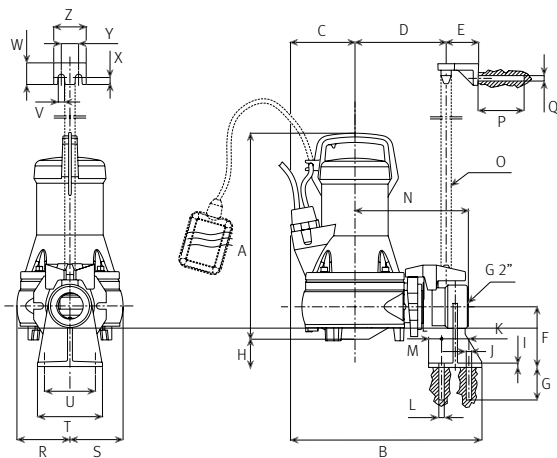
A	B	C	D	E	F	G	H	I	J	K	L	M
437	338	110	219	62	95	49	98	98	134	110	55	55



## Dimension stationary version

A	B	C	D	E	F	G	H	I	J	K	L	M
388	353	110	168	60	112	60	52	8	12	51	Ø10	24

N	O	P	Q	R	S	T	U	V	W	X	Y	Z
209	Ø25	85	Ø10	98	98	120	94	12	40	13	32	60



## Submersible pump for waste water with solids in suspension, vortex system

### Applications

Evacuation, transfer and emptying of waste water with solids in suspension.

### Materials

Pump and impeller in cast iron.  
Pump shaft in AISI 420.  
Mechanical seal in aluminium-graphite.  
O-rings in NBR/EPDM.

### Equipment

90° elbow included.  
Model MA: float switch and 10m of cable with plug type F.  
Model M: without float switch and 10m of cable with plug type F.  
Model T: without float switch and 10m of cable without plug.  
Internal capacitor.

### Motor

Asynchronous 2 poles.  
IP68 protection.  
Continuous operation.  
Class F insulation.  
Single phase motor with built-in thermal protection.

### Limitations

Maximum water temperature: 40° C.  
Maximum solids passage: Ø 65mm.  
Maximum submersion: 7m.



Model MA

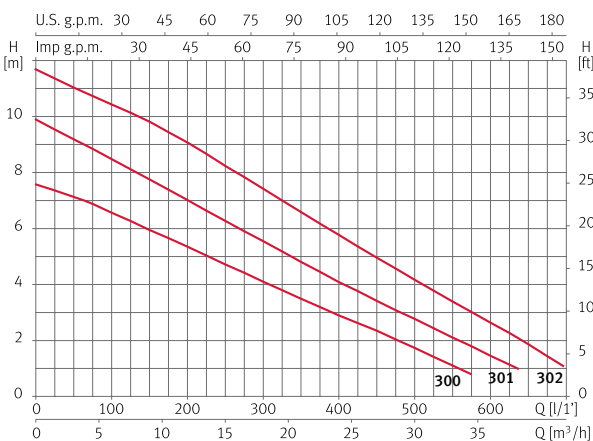


Model M/T

### Hydraulic performance table

Model	I [A]		P1 [kW]		P2		c [µF]	l/min	50	100	200	400	500	650	Code		
	1~	3~	1~	3~	[kW]	[HP]									1~230V	1~230V	3~400V
	230V	400V													(Model M)	(Model MA)	(Model T)
Drainex 300	5,5	2,4	1,2	1,2	1,1	1,5	16	m³/h	3,0	6,0	12	24	30	39	96684	96686	96682
Drainex 301	6,8	2,7	1,5	1,5	1,1	1,5	16	mwc	7,1	6,6	5,4	2,9	1,8	-	96694	96696	96692
Drainex 302	7,5	3	1,8	1,8	1,1	1,5	16		9,2	8,5	7	4,1	2,8	-	96704	96706	96702

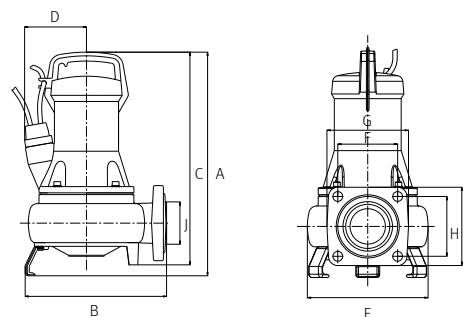
### Performance curve at 2900 rpm



### Dimension and weight

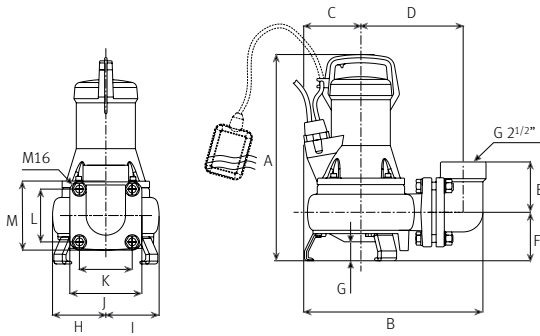
Model	A	B	C	D	E	F	G	H	I	J	Kg
Drainex 300	429	272	408	119	222	110	150	110	144	2 1/2"	28
Drainex 301	429	272	408	119	222	110	150	110	144	2 1/2"	28
Drainex 302	429	272	408	119	222	110	150	110	144	2 1/2"	28

Ø Impeller in mm: Drainex 300: 105. Drainex 301: 115. Drainex 302: 124.



## Dimension portable version

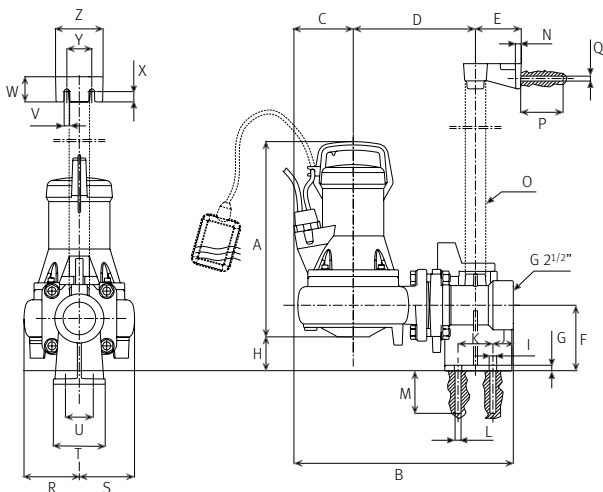
A	B	C	D	E	F	G	H	I	J	K	L	M
455	373	108	213	105	101	62	111	111	150	110	110	144



## Dimension stationary version

A	B	C	D	E	F	G	H	I	J	K	L	M
405	441	108	246	92	132	12	75	15	38	70	Ø12	85

N	O	P	Q	R	S	T	U	V	W	X	Y	Z
12	Ø42	85	Ø10	111	111	104	56	11	51	21	50	95



## Submersible pump for waste water with solids in suspension, vortex system

### Applications

Evacuation, transfer and emptying of waste water with solids in suspension.

### Materials

Pump and impeller in cast iron.  
Pump shaft in AISI 420.  
Mechanical seal in aluminium-graphite.  
O-rings in NBR/EPDM.

### Equipment

10m of cable without plug.

### Motor

Asynchronous 2 poles.  
IP68 protection.  
Continuous operation.  
Class F insulation.

### Limitations

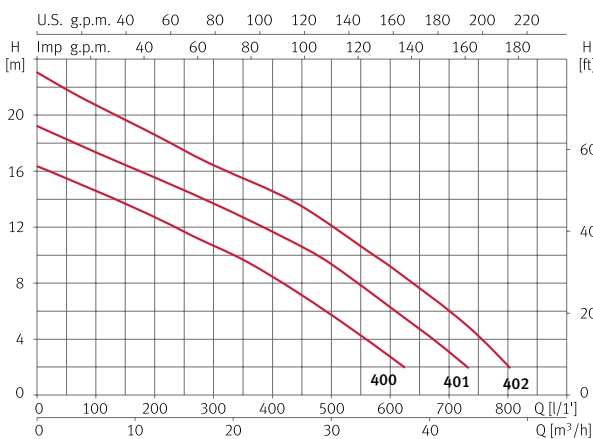
Maximum water temperature: 40° C.  
Maximum solids passage: Ø 45mm.  
Maximum submersion: 7m.



### Hydraulic performance table

Model	I [A]	P1 [kW]	P2		I/min	100	200	400	500	600	700	800	Code
	3~400V	3~	[kW]	[HP]	m³/h	6,0	12	24	30	36	42	48	3~400V
Drainex 400	4,1	2,8	2,6	3,5	mwc	14,6	12,7	8,3	5,9	2,8	-	-	137506
Drainex 401	4,8	3	2,6	3,5		17,3	15,5	11,6	9,3	5,2	3	-	137503
Drainex 402	5,6	3,1	2,6	3,5		20,7	18,6	13,7	12	9,3	5	2	129725

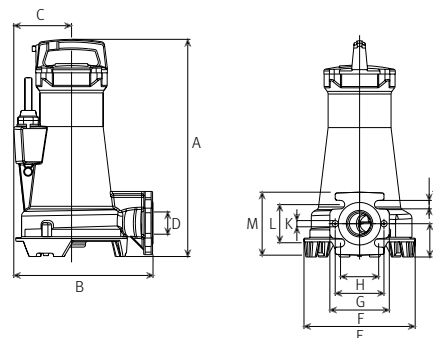
### Performance curve at 2900 rpm



### Dimension and weight

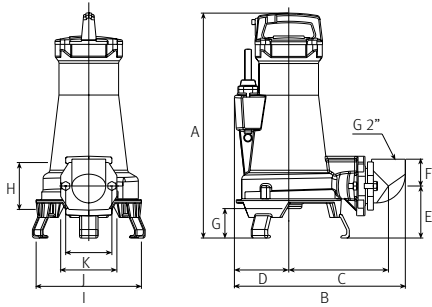
Model	A	B	C	D	E	F	G	H	I	J	K	L	M	Kg
Drainex 400	488	313	130	Ø50	251	134	110	86	75	19	Ø14	86	142	45
Drainex 401	488	313	130	Ø50	251	134	110	86	75	19	Ø14	86	142	45
Drainex 402	488	313	130	Ø50	251	134	110	86	75	19	Ø14	86	142	45

Ø Impeller in mm: Drainex 400: 115. Drainex 401: 125. Drainex 402: 136.



## Dimension portable version

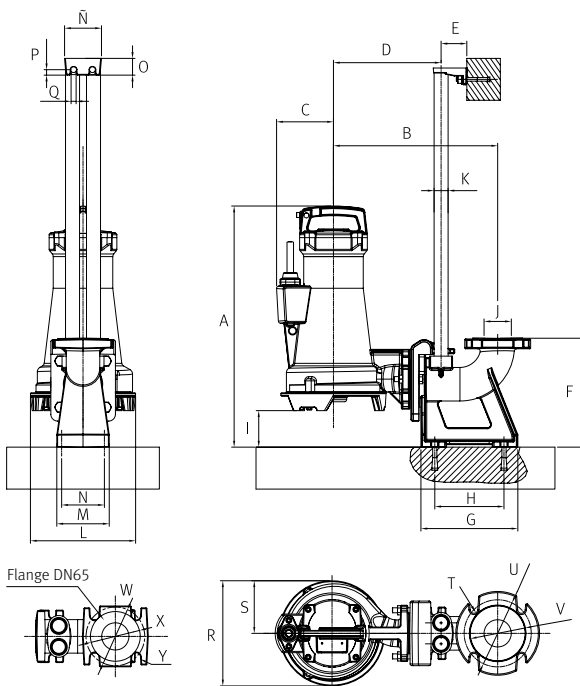
A	B	C	D	E	F	G	H	I	J	K
537	408	238	130	124	64	70	110	251	134	110



## Dimension stationary version

A	B	C	D	E	F	G	H	I	J	K	L	M
575	392	136	257	62	260	231	165	87	Ø65	1"	251	125

N	Ñ	O	P	Q	R	S	T	U	V	W	X	Y
102	88	40	13	12	251	125	Ø18	Ø160	Ø133	Ø140	Ø120	Ø21



## Submersible pump for waste water with solids in suspension, vortex system

### Applications

Evacuation, transfer and emptying of waste water with solids in suspension.

### Materials

Pump and impeller in cast iron.  
Pump shaft in AISI 420.  
Mechanical seal in aluminium-graphite.  
O-rings in NBR/EPDM.

### Equipment

10m of cable without plug.

### Motor

Asynchronous 2 poles.  
IP68 protection.  
Continuous operation.  
Class F insulation.

### Limitations

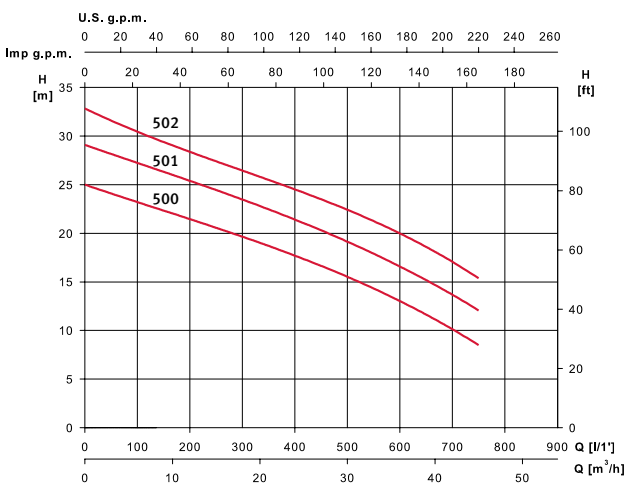
Maximum water temperature: 40° C.  
Maximum solids passage: Ø 45mm.  
Maximum submersion: 7m.



### Hydraulic performance table

Model	I [A]	P1 [kW]	P2		l/min	100	300	400	500	600	750	Code
	3~400V	3~	[kW]	[HP]	m³/h	6,0	18	24	30	36	45	3~400V
Drainex 500	7,2	4,2	3,7	5	mwc	23,2	19,7	17,6	15,6	13	8,5	137507
Drainex 501	8,3	5	3,7	5		27,4	23,5	21,2	19,1	16,8	12	137504
Drainex 502	8,7	5,3	3,7	5		30,1	26,8	24,5	22,2	20	15,4	129726

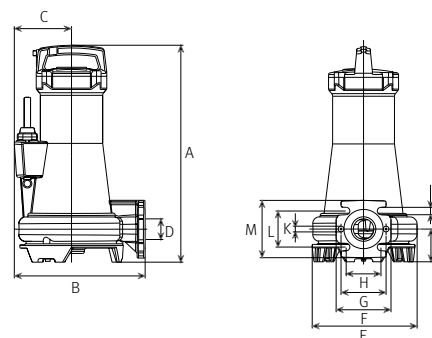
### Performance curve at 2900 rpm



### Dimension and weight

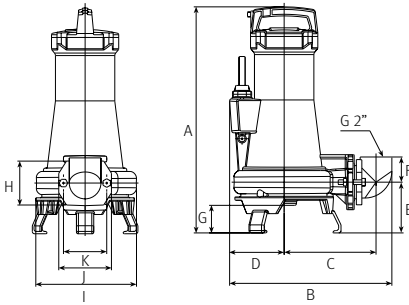
Model	A	B	C	D	E	F	G	H	I	J	K	L	M	Kg
Drainex 500	526	317	139	Ø50	256	134	110	85	80	18	Ø14	88	140	55
Drainex 501	526	317	139	Ø50	256	134	110	85	80	18	Ø14	88	140	55
Drainex 502	526	317	139	Ø50	256	134	110	85	80	18	Ø14	88	140	55

Ø Impeller in mm: Drainex 500: 140. Drainex 501: 150. Drainex 502: 160.



## Dimension portable version

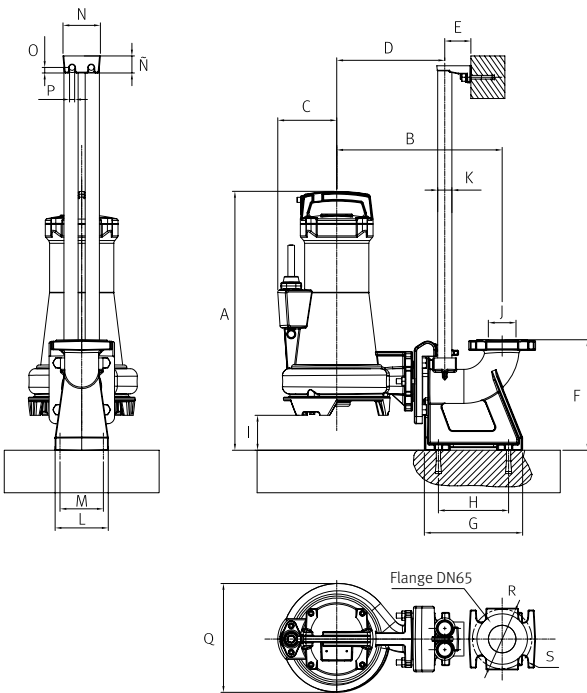
A	B	C	D	E	F	G	H	I	J	K
575	412	234	139	129	64	70	110	256	134	110



## Dimension stationary version

A	B	C	D	E	F	G	H	I	J	K	L	M
609	389	139	254	62	260	231	165	82	Ø65	1"	125	102

N	N̄	O	P	Q	R	S
88	40	13	12	256	Ø140	Ø21





## Submersible pump for waste water with solids in suspension, vortex system

### Applications

Evacuation, transfer and emptying of waste water with solids in suspension.

### Materials

Pump and impeller in cast iron.  
Pump shaft in AISI 420.  
Mechanical seal in aluminium-graphite.  
O-rings in NBR/EPDM.

### Equipment

10m of cable without plug.

### Motor

Asynchronous 2 poles.  
IP68 protection.  
Continuous operation.  
Class F insulation.

### Limitations

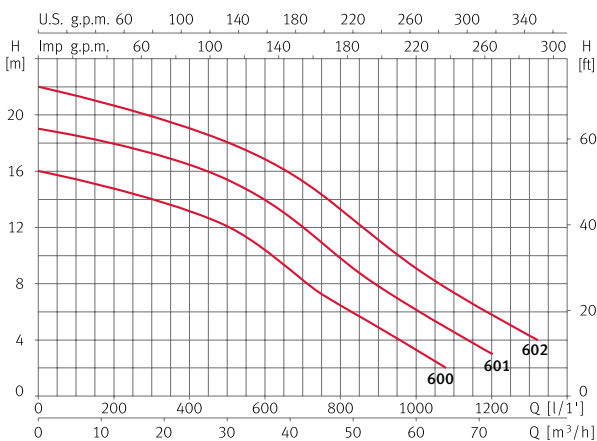
Maximum water temperature: 40° C.  
Maximum solids passage: Ø 65mm.  
Maximum submersion: 7m.



### Hydraulic performance table

Model	I [A]	P1 [kW]	P2		l/min	200	400	600	800	1.000	1.200	1.300	Code
	3~400V	3~	[kW]	[HP]	m <sup>3</sup> /h	12	24	36	48	60	72	78	
Drainex 600	7,3	4,4	3,7	5	mwc	14,8	13,3	10,4	6,3	3,4	-	-	137508
Drainex 601	8,4	5,2	3,7	5		18	16,3	14	9,8	6	3,1	-	137505
Drainex 602	8,8	5,5	3,7	5		21	19	16,8	13,3	9	5,8	4,3	129730

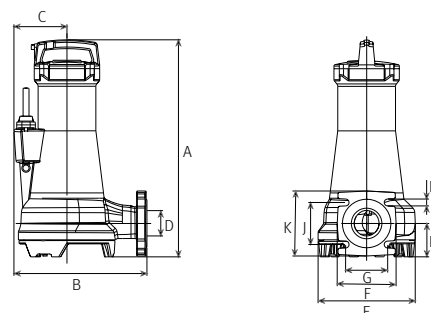
### Performance curve at 2900 rpm



### Dimension and weight

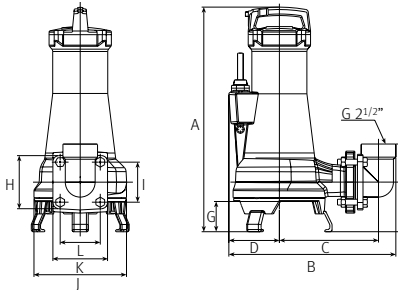
Model	A	B	C	D	E	F	G	H	I	J	K	Kg
Drainex 600	567	348	139	Ø65	254	154	110	87	18	110	170	60
Drainex 601	567	348	139	Ø65	254	154	110	87	18	110	170	60
Drainex 602	567	348	139	Ø65	254	154	110	87	18	110	170	60

Ø Impeller in mm: Drainex 600: 125. Drainex 601: 135. Drainex 602: 145.



## Dimension portable version

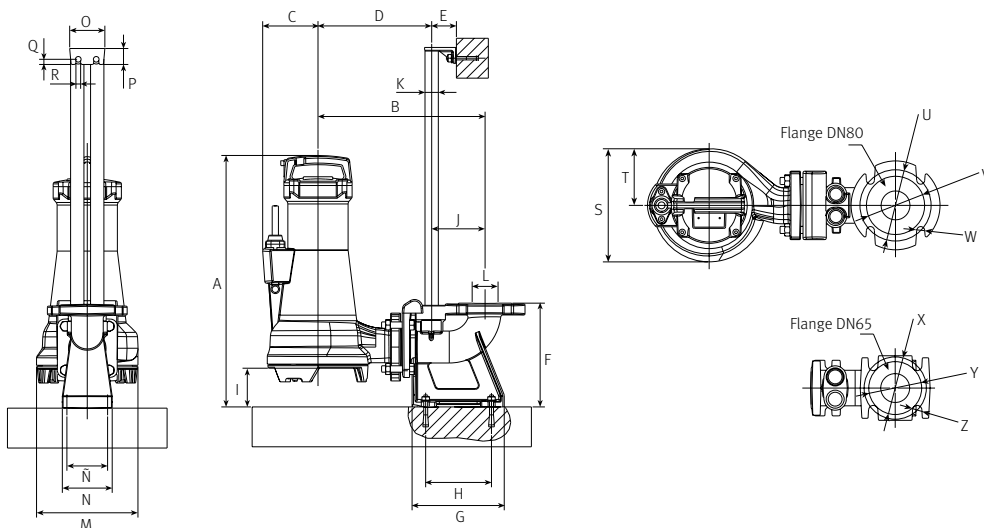
A	B	C	D	E	F	G	H	I	J	K	L
616	458	272	139	136	105	83	144	110	254	150	110



## Dimension stationary version

A	B	C	D	E	F	G	H	I	J	K	L	M
630	419	319	285	62	260	231	165	97	134	1"	Ø65	254

N	Ñ	O	P	Q	R	S	T	U	V	W	X	Y	Z
125	102	88	40	13	12	254	127	Ø60	Ø133	Ø18	Ø140	Ø120	Ø21



# Accessories Drainex and Draincor Drainage



## Installation kit for Drainex 200/300/400/500/600 and Draincor 180/200

### Stationary version for Drainex 200 and Draincor 180/200



Support base for automatic anchoring

Clamping flange

Upper anchoring on guide tube

Kit	Code
DR1	100527

### Stationary version for Drainex 300



Support base for automatic anchoring

Clamping flange

Upper anchoring on guide tube

Kit	Code
DR2	100528

### Stationary version for Drainex 400/500

DN65 (flange 65)

DIN 2501 PN16

ANSI 150 2"



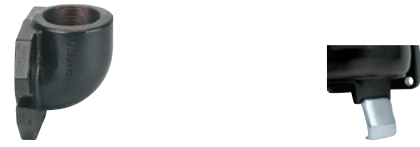
Support base with elbow for automatic anchoring

Clamping flange

Upper anchoring on double guide tube

Kit	Code
DR3.2	207381

### Portable version for Drainex 400/500



90° elbow at 2"

Stainless steel feet

Kit	Code
DR6	132139

### Stationary version for Drainex 600

DN65 (flange 65)

DIN 2501 PN16

ANSI 150 2 1/2"



Support base with elbow for automatic anchoring

Clamping flange

Upper anchoring on double guide tube

Kit	Code
DR4.2	207379

### Portable version for Drainex 600



90° elbow at 2 1/2"

Stainless steel feet

Kit	Code
DR7	132140