

## Single phase submersible motor control starter/protector Franklin Electric

### SubStart

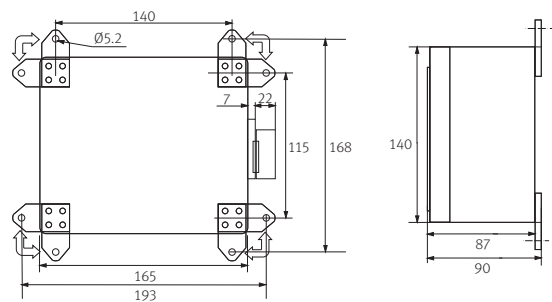
Single phase submersible motor control starter from 0.25 kW to 2.2 kW.  
 IP 54 protection.  
 Illuminated integral ON/OFF switch.  
 Thermal circuit breaker for protection of the motor.

High quality motor run capacitor for long life.  
 Temperature: -5 °C to +40 °C.  
 Humidity: 50% at 55 °C (without condensation).



### SubStartSC® single phase submersible motor starter specifications

Model	Motor rating [kW]	Maximal expected current [A]	Capacitor [µF] 450 V ac	Code
Substart 0.37 kW 230 V	0.37	12.6	16	00880110
Substart 0.55 kW 230 V	0.55	17.7	20	00880111
Substart 0.75 kW 230 V	0.75	22.7	35	00880112
Substart 1.1 kW 230 V	1.10	33.9	40	00880113
Substart 1.5 kW 230 V	1.50	41.7	50	00880114
Substart 2.2 kW 230 V	2.20	61.8	70	00880115



### SubTronic

Single phase submersible motor control protector from 0.25 kW to 2.2 kW.  
 IP 54 protection.  
 Dry-run protection (without probes).  
 Automatic dry-run reset time 6 to 60 minutes.  
 Over & under voltage protection, reset 3 minutes approx.  
 Over current protection, reset 10 minutes approx.

Faulty start protection.  
 Rapid cycle protection.  
 Indicators for status, voltage & fault.  
 Temperature: -5 °C to +40 °C.  
 Humidity: 50% at 55 °C (without condensation).



### SubTronic® single phase submersible motor protector models

Model	Motor rating [kW]	Maximal expected current [A]	Capacitor [µF] 450 V ac	Code
Subtronic 0.37 kW 230 V	0.37	12.6	16	00880013
Subtronic 0.55 kW 230 V	0.55	17.7	20	00880014
Subtronic 0.75 kW 230 V	0.75	22.7	35	00880106
Subtronic 1.1 kW 230 V	1.10	33.9	40	00880015
Subtronic 1.5 kW 230 V	1.50	41.7	50	00880016
Subtronic 2.2 kW 230 V	2.20	61.8	70	00880018

